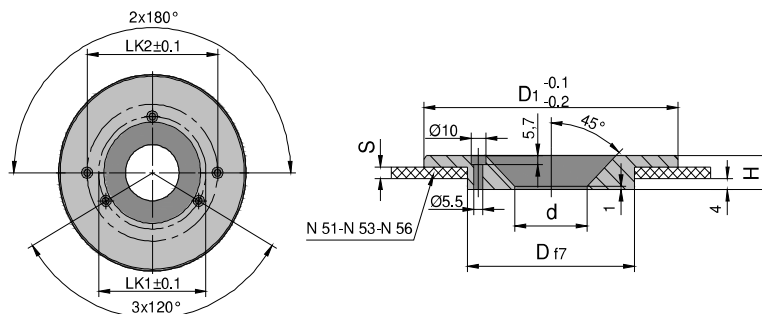


N 24

Locating Ring With Screw Holes



Ordering-Example:

1 Piece N24 Ø90/12

Special Sizes Available On Request

LK = Bolt Pitch Circle Diameter

Material: 1.1191

S	LK1	LK2	d	D	D1	H	€
-	78	76	36	90	90	12	
3						15	
5						17	
6						18	
7						19	
8,5						21	
-	78	-	36	90	100	8	
-	78	82	36	90	100	12	
3						15	
5						17	
6						18	
7						19	
8,5						21	
-	78	98	36	90	110	12	
3						15	
5						17	
6						18	
7						19	
8						20	
8,5						21	
-	78	104	36	90	120	12	
3						15	
5						17	
6						18	
7						19	
8						20	
8,5						21	

S	LK1	LK2	d	D	D1	H	€
-	78	104	36	90	125	12	
3						15	
5						17	
6						18	
7						19	
8						20	
8,5						21	
-	78	-	36	90	130	12	
-	78	-	36	90	140	12	
-	78	-	36	90	150	12	
-	78	128	36	90	160	12	
3						15	
5						17	
6						18	
7						19	
8						20	
8,5						21	
-	78	128	36	90	175	12	
3						15	
5						17	
6						18	
7						19	
8						20	
8,5						21	
-	78	-	36	90	180	12	
-	78	-	36	90	200	12	
-	78	-	36	90	250	12	