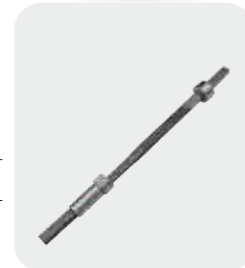
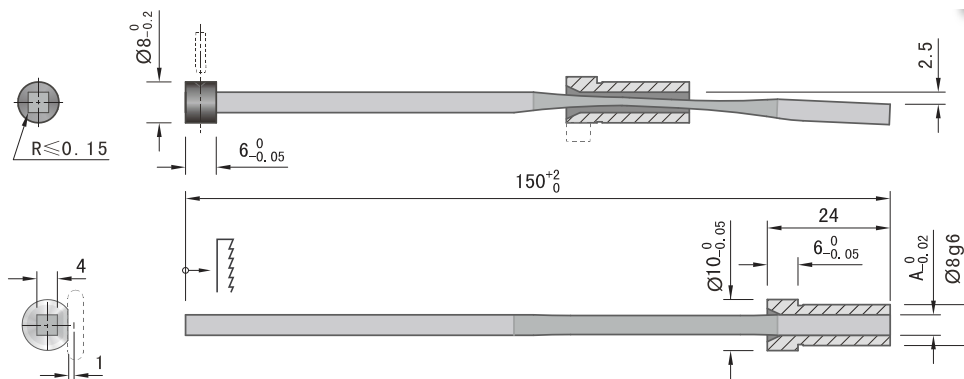




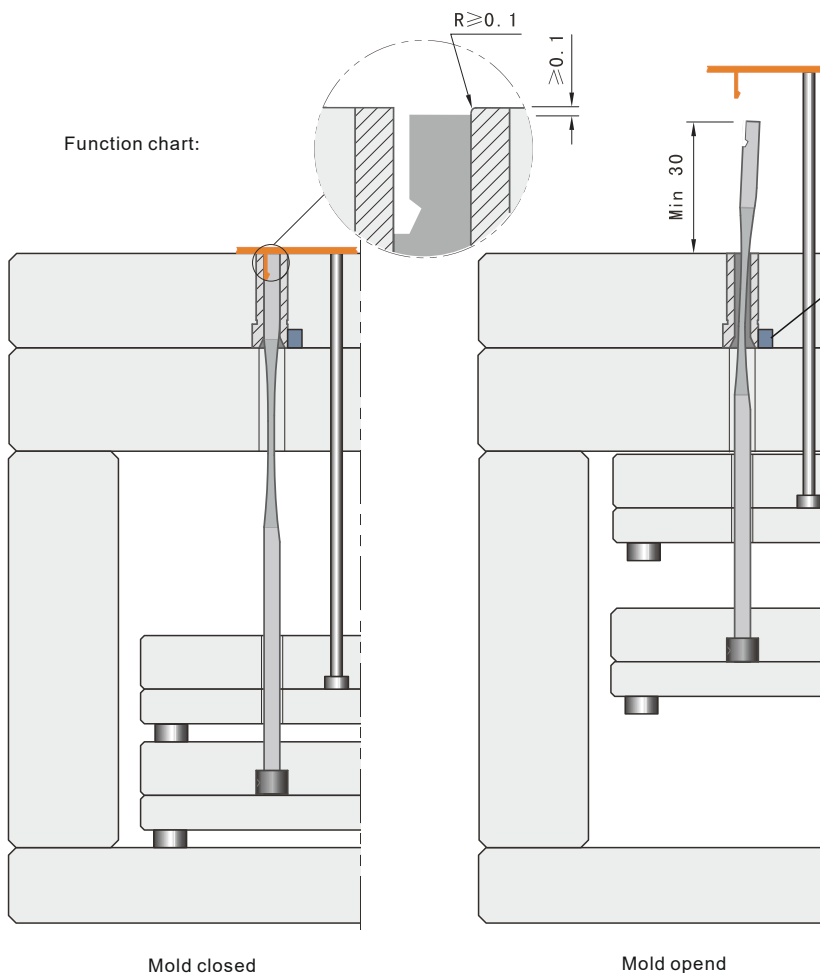
Sprung cores

KMMP



Code	A
KMMP-044150	4
KMMP-054150	5

Function chart:



- No this pad, have to processing and match to do by oneself.
- Function: when sprung core completely ejector, prevent sprung core unexpected move to break.

Max. forming position size.

