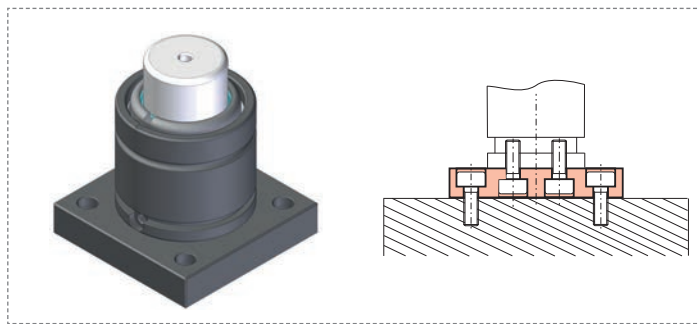
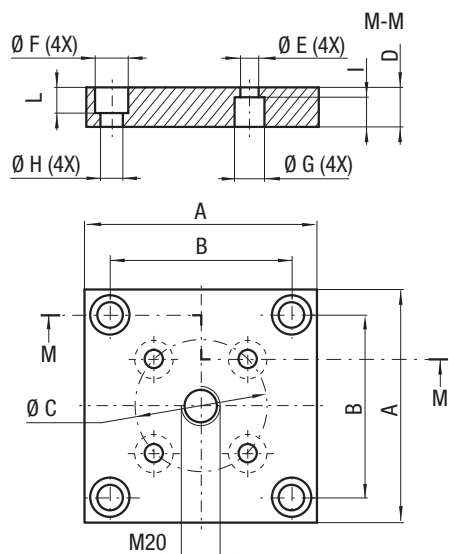


**FBC**



CODE	Reference to standards	A		B		$\varnothing C$		D		$\varnothing E$		$\varnothing F$		$\varnothing G$		$\varnothing H$		I		L	
		mm	inch	mm	inch	mm	inch	mm	inch	mm	inch	mm	inch	mm	inch	mm	inch	mm	inch	mm	inch
FBC 75	0	100	3.94	73,5	2.89	40	1.57	20	0.79	9	0.35	18	0.71	15	0.59	11	0.43	12	0.47	15	0.55