

RV 12000



OSAS + OSM = OVER STROKE ACTIVE SAFETY + OVER STROKE MARKER

ACTIVE SAFETY

easu MANIFOLD p. 241



* $F_{1i} =$

Isothermal end force at 100% Cu p. 18

** $F_{1p} =$

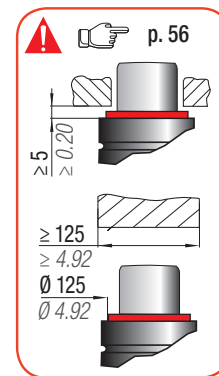
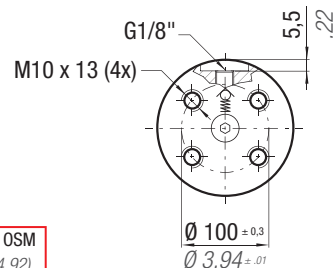
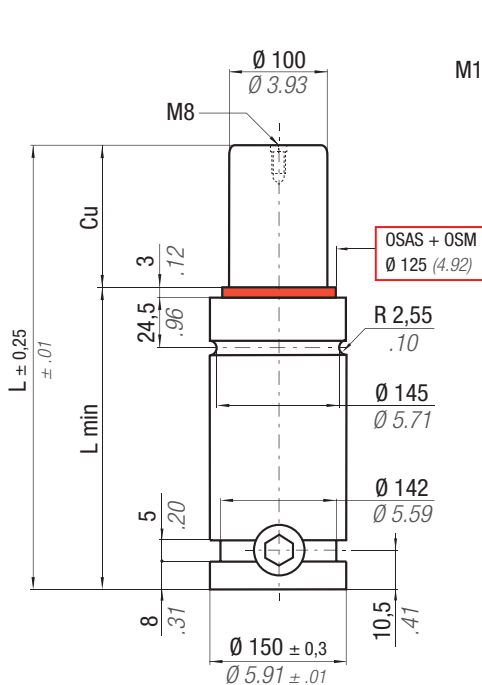
Polytropic end force at 100% Cu



USAS

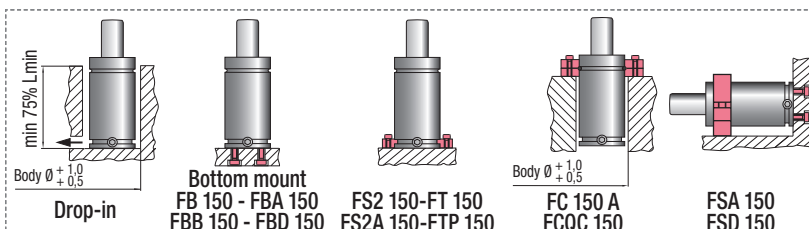


OPAS



	°F 32 - 176	°C 0 - 80	ΔP ± 0,33 %/°C	P max 150 bar 2175 psi	P min 20 bar 290 psi	S 78,54 cm ² 12.173 in ²	SPM ~ 20 - 80 (at 20°C)	Max Speed 1,8 m/s	Maintenance kit 39BMRV12000A
--	----------------------	--------------------	---------------------------	-------------------------------------	-----------------------------------	---	--------------------------------------	-----------------------------	--

CODE	Cu		L		L min		F ₀		F _{1i} *		F _{1p} **		V ₀		PED		
	mm	inch	mm	inch	mm	inch	daN	lb	daN	lb	daN	lb	cm ³	in ³	~Kg	~lb	2014/68/EU
RV 12000 - 019 - A	19	0.75	116	4.57	97	3.82	11780 ± 5% 150 bar 2175 psi	26470	16891	37973	19896	44728	571,0	34.83	9,34	20.59	✓
RV 12000 - 025 - A	25	0.98	128	5.04	103	4.06			17735	39870	21225	47716	675,0	41.18	9,73	21.45	✓
RV 12000 - 032 - A	32	1.26	142	5.59	110	4.33			18503	41596	22454	50479	796,0	48.56	10,18	22.44	✓
RV 12000 - 038 - A	38	1.50	154	6.06	116	4.57			19030	42780	23307	52396	900,0	54.90	10,57	23.30	✓
RV 12000 - 050 - A	50	1.97	178	7.01	128	5.04			19837	44596	24629	55368	1108,0	67.59	11,35	25.02	✓
RV 12000 - 063 - A	63	2.48	204	8.03	141	5.55			20469	46016	25676	57722	1332,0	81.25	12,20	26.90	✓
RV 12000 - 075 - A	75	2.95	228	8.98	153	6.02			20909	47006	26412	59377	1540,0	93.94	12,97	28.59	✓
RV 12000 - 080 - A	80	3.15	238	9.37	158	6.22			21063	47353	26671	59959	1626,0	99.19	13,30	29.32	✓
RV 12000 - 100 - A	100	3.94	278	10.94	178	7.01			21559	48467	27507	61838	1972,0	120.29	14,60	32.19	✓
RV 12000 - 125 - A	125	4.92	328	12.91	203	7.99			21995	49447	28249	63506	2405,0	146.71	16,22	35.76	✓



HOW TO ORDER



INSTALLATION GUIDELINE

