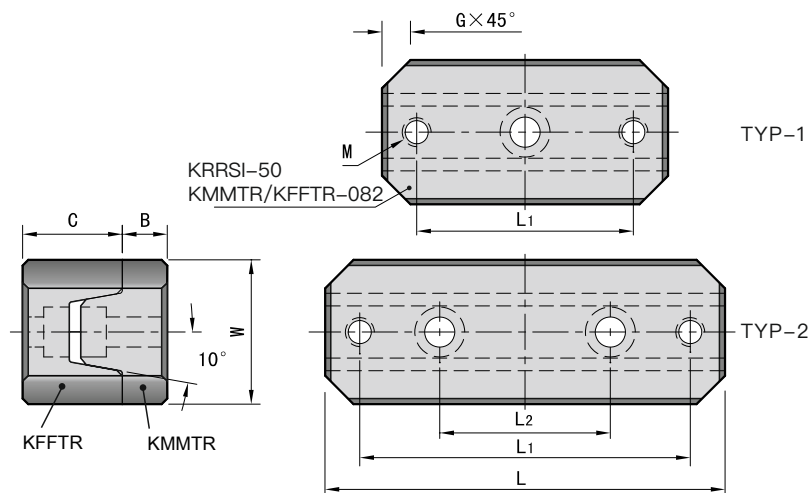


AISI

Square Interlocks

KMMTR
KFFTR
KRRSI

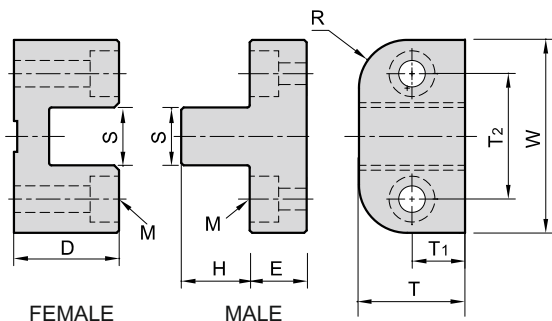


KMMTR/KFFTR-082

Code	Typ	G	L2±.005	L±.010	W ^{+ .000} _{-.001}	MMTR	FFTR	M	L1	Mounting screws
						B±.005	C±.005			
KMMTR/KFFTR-082	1		-	1.980	0.999	0.312	0.69	1/ 4-20	1.50	NO.10-24
KMMTR/KFFTR-104	2	0.2	2.500	3.980	1.249	0.375	0.87	5/16-18	3.38	1/ 4-20
KMMTR/KFFTR-126			4.000	5.980	1.499	0.500	1.00		5/16-18	

KRRSI-50

Code	L ⁰ _{-.01}	L1	L2	W ⁰ _{-.001}	B ⁰ _{-.001}	C ⁰ _{-.001}	G	M
KRRSI- 50	50	36	-	25	8	17.5		M5
KRRSI-100	100	88	60	30	10	22	5	M6
KRRSI-150	150	132	100	40	13	25		M8



KTTL-P



KTTL-P-100

Code	W ^{+ .0000} _{-.0004}	T ^{+ .000} _{-.002}	H ^{+ .000} _{-.010}	S ^{-.0002} _{TOTAL}	D ^{-.000} _{-.002}	R ^{+ .010} _{-.003} RADIUS	E ^{+ .000} _{-.002}
KTTL-P-100	1.0000	0.500	0.275	0.187	0.500	0.187	0.375
KTTL-P-125	1.2500	0.625	0.375	0.250	0.625	0.250	0.500
KTTL-P-150	1.5000	0.875	0.500	0.250	0.875	0.250	0.750
KTTL-P-200	2.0000	1.000	0.625	0.375	1.125	0.375	0.750
KTTL-P-300	3.0000	1.125	0.750	1.500	1.500	1.500	0.750

Code	OVERALL HEIGHT	T1	T2	M MALE(2)	M FEMALE(2)
KTTL-P-100	0.875	0.250	0.688	6-32×1/2	6-32×5/8
KTTL-P-125	1.125	0.312	0.875		
KTTL-P-150	1.625	0.437	1.000	8-32×3/4	8-32×3/4
KTTL-P-200	1.875	0.7500	1.375	10-32×3/4	10-32× 1
KTTL-P-300	2.250	1.1250	2.250	1/4-20×3/4	1/4-20×1-1/2