

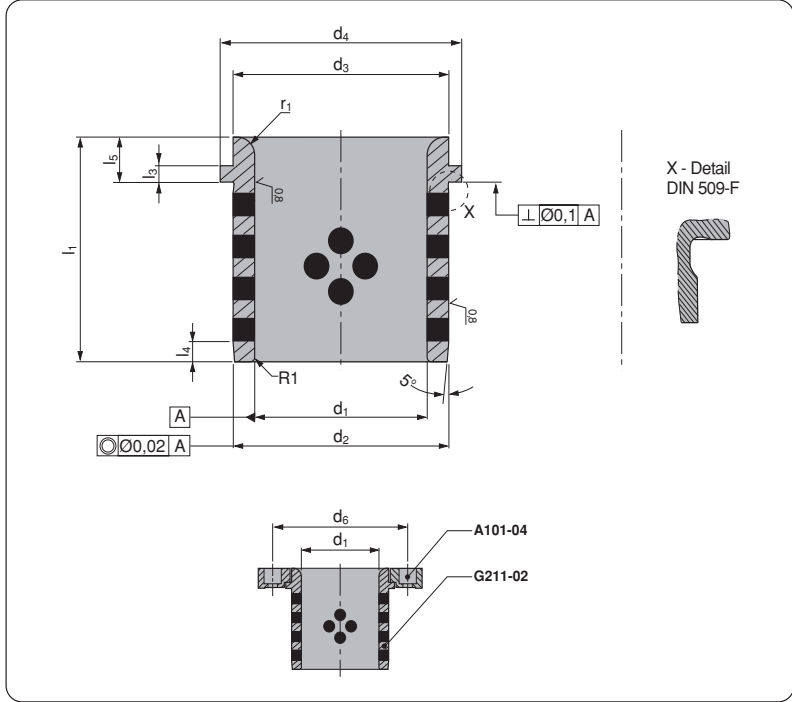
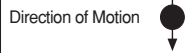


G211-02

Guide Bushes with collar, self-lubricating DIN 9834
 Faturalı Grafitli Kılavuz Burçlar DIN 9834
 Führungsbuchsen mit Bund, nach DIN 9834



Material :
 Bronze with Non-Liquid Lubricant
 HB ≥ 190



GSB CODE:G211-02

Code	d ₁ H7	d ₂ h6	d ₃ -0.25	d ₄ -0.8	d ₅ ±0.3	l ₁ -0.5 / -1	l ₃ ±0.1	l ₄ ±1	l ₅ -0.5	r ₁
G211-02-025-040	25	32	32	40	58	40	6,3	3	10	3
G211-02-032-050	32	40	40	50	66	50	6,3	4	12	3
G211-02-040-063	40	50	50	63	79	63	6,3	5	15	3
G211-02-050-071	50	63	63	71	89	71	6,3	6,3	17	5
G211-02-063-080	63	80	80	90	123	80	10	8	19	6
G211-02-080-100	80	100	100	112	143	100	10	10	22	8
G211-02-100-125	100	125	125	140	168	125	10	12,5	21	10
G211-02-125-160	125	160	160	180	203	160	10	16	30	12
G211-02-160-200	160	200	200	220	243	200	10	16	32	18