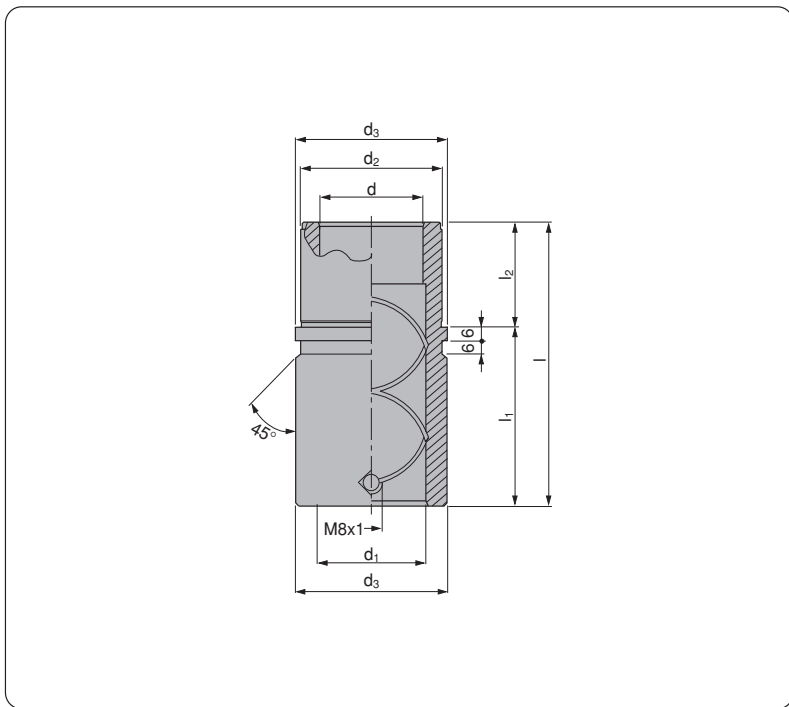




## G213-01

Steel Headed Guide Bushes, oil groove  
 Çelik Kanallı İnce Kilavuz Burçlar  
 Führungsbuchsen mit Bund, stahl



Material :  
 16MnCr5  
 HRC 58 ÷ 62

GSB CODE:G213-01

Code	d	d <sub>1</sub>	d <sub>2</sub>	d <sub>3</sub>	l	l <sub>1</sub>	l <sub>2</sub>
G213-01-020-070	20 -1	20 G6	28 j6	34	70	47	23
G213-01-025-080	25	25	34	39	80	57	23
G213-01-030-090	30	30	39	44	90	53	37
G213-01-040-100	40	40	50	54	100	63	37
G213-01-050-120	50	50	60	64	120	73	47