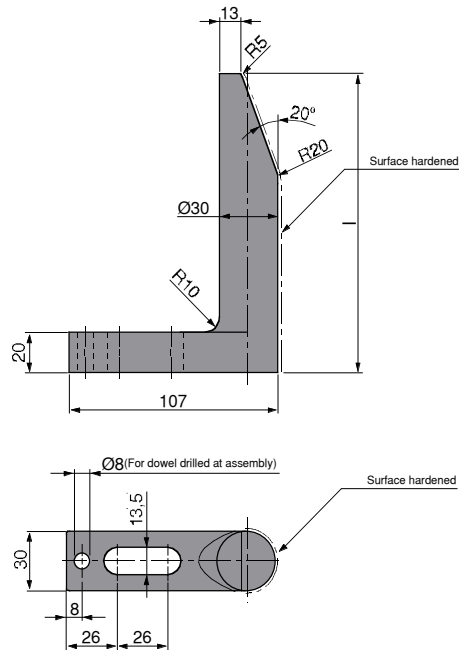




**M301-01**  
 Gage Hardened  
 Sertleştirilmiş Mekanik Dayamalar  
 Einweiser Gehartet



Material :  
 CK45  
 Forged  
 Hardened  
 HRC 50 ÷ 55



**GSB CODE:M301-01**

Code	l
M301-01-065	65
M301-01-090	90
M301-01-120	120
M301-01-150	150
M301-01-180	180
M301-01-250	250
M301-01-300	300
M301-01-350	350

If special lenght "l" is given by the customer ( $l_{max} \leq 350$  mm)

Code	l
M301-01-???	???