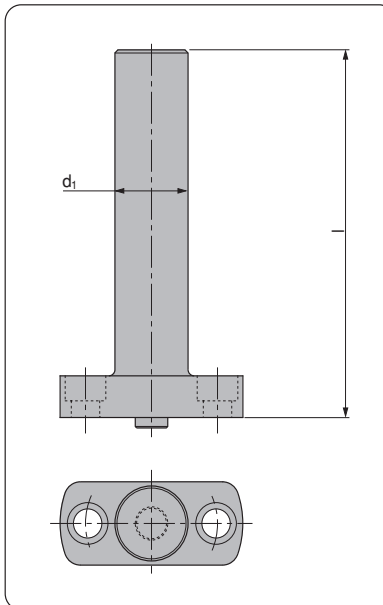




B2 2615 12

Air Pin
Hava Pimi
Druckbolzen



BMW ID Number	d ₁	l
2 168 308	36	≤ 350
2 168 309	36	> 350
2 168 310	26	≤ 350
2 168 311	26	> 350

Material :
CK45
800 ÷ 1000 N/mm²
Forged

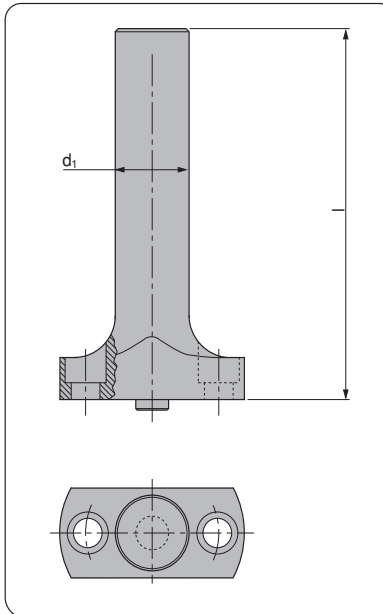
Order Example:
BMW ID Number+ l=290
Order Code:2168309L=290

BMW CODE:B2 2615 12



B2 2615 12a

Air Pin
Hava Pimi
Druckbolzen



BMW ID Number	d ₁	l
2 171 903	36	≤ 180
2 171 904	36	> 180

Material :
42CrMo4
800 ÷ 1000 N/mm²
Forged

Order Example:
BMW ID Number+ l=290
Order Code:2171904L=290

BMW CODE:B2 2615 12a