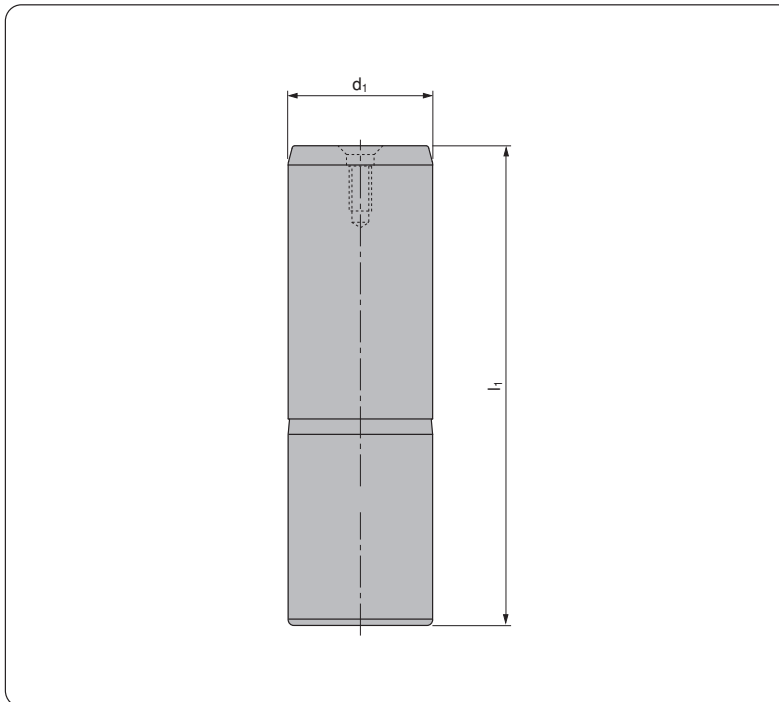




**F3301**  
Guide Post  
Kılavuz Kolonlar  
Führungssäule



Material :  
16MnCr5  
Hardened  
HRC 60 ÷ 62

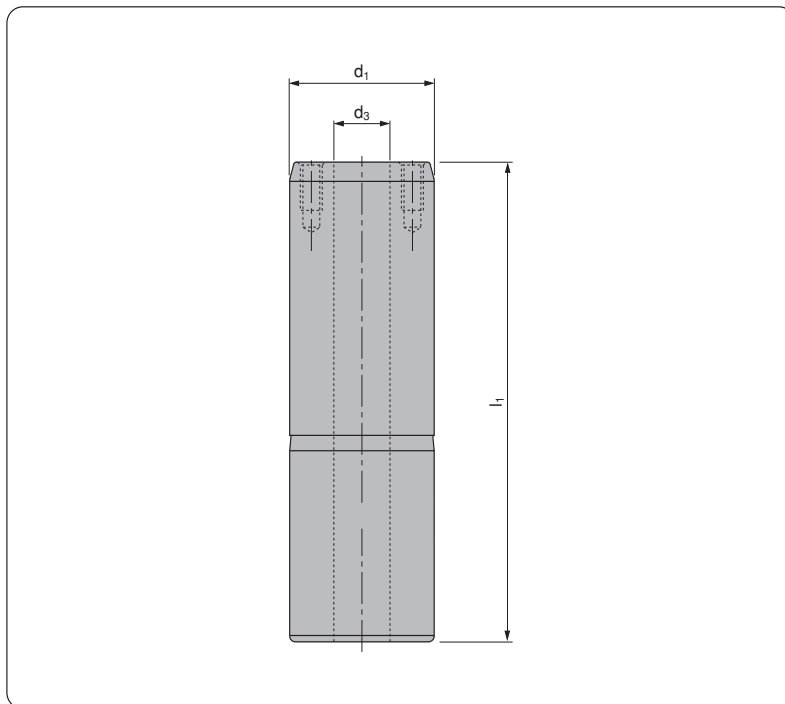


**OPEL Code: F3301**

OPEL Code	$d_1$	$l_1$	OPEL Code	$d_1$	$l_1$
F33010001	25	125	F33010027	63	250
F33010002	25	140	F33010028	63	280
F33010003	25	160	F33010029	63	315
F33010004	25	180	F33010030	63	355
F33010005	32	140	F33010031	63	400
F33010006	32	160	F33010032	80	224
F33010007	32	180	F33010033	80	250
F33010008	32	200	F33010034	80	280
F33010009	40	140	F33010035	80	315
F33010010	40	160	F33010036	80	355
F33010011	40	180	F33010037	80	400
F33010012	40	200	F33010046	63	450
F33010013	40	224	F33010047	63	500
F33010014	40	250	F33010048	80	450
F33010015	40	280	F33010049	80	500
F33010016	50	160			
F33010017	50	180			
F33010018	50	200			
F33010019	50	224			
F33010020	50	250			
F33010021	50	280			
F33010022	50	315			
F33010023	50	355			
F33010024	63	180			
F33010025	63	200			
F33010026	63	224			



**F3301**  
Guide Post  
Kılavuz Kolonlar  
Führungssäule



Material :  
16MnCr5  
Hardened  
HRC 60 ÷ 62

**OPEL Code: F3301**

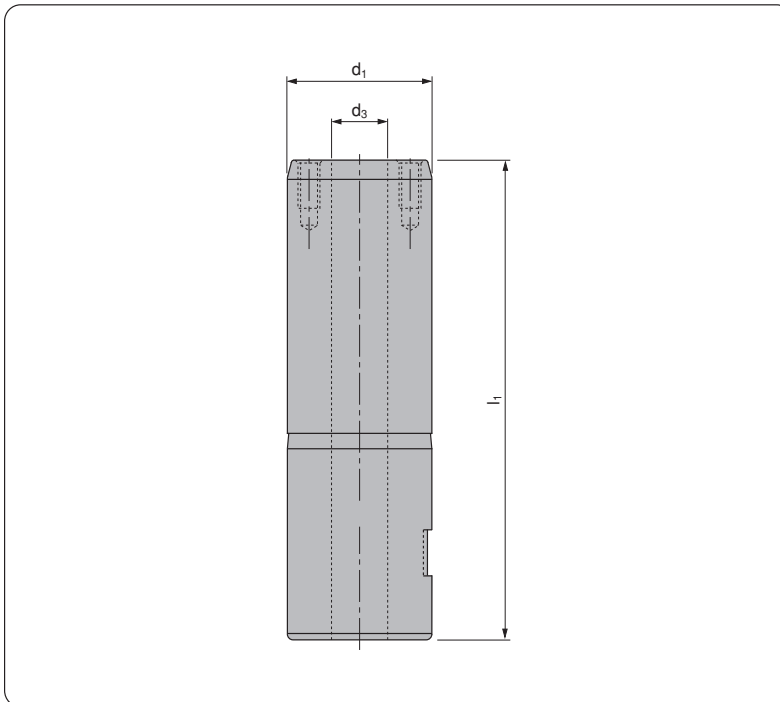
OPEL Code	$d_1$	$d_3$	$l_1$
F33010038	100	50	280
F33010039	100	50	315
F33010040	100	50	355
F33010041	100	50	400
F33010042	125	65	315
F33010043	125	65	355
F33010044	125	65	400
F33010045	125	65	450
F33010050	100	50	450
F33010051	100	50	500
F33010052	100	50	550
F33010053	100	50	600
F33010054	100	50	650
F33010055	125	65	500
F33010056	125	65	550
F33010057	125	65	600
F33010058	125	65	650



**F3301**  
Guide Post  
Kılavuz Kolonlar  
Führungssäule



Material :  
16MnCr5  
Hardened  
HRC 60 ÷ 62



**OPEL Code: F3301**

OPEL Code	$d_1$	$d_3$	$l_1$
F33010060	100	50	280
F33010061	100	50	315
F33010062	100	50	355
F33010063	100	50	400
F33010064	100	50	450
F33010065	100	50	500
F33010066	100	50	550
F33010067	100	50	600
F33010068	100	50	650
F33010069	125	65	315
F33010070	125	65	355
F33010071	125	65	400
F33010072	125	65	450
F33010073	125	65	500
F33010074	125	65	550
F33010075	125	65	600
F33010076	125	65	650