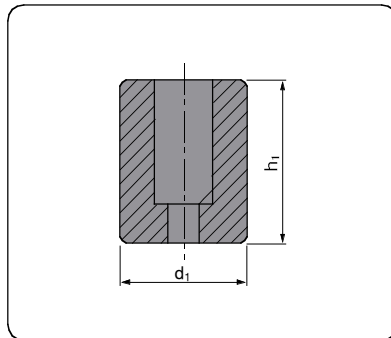
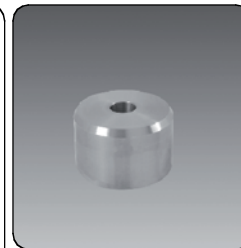




39D 592
Spacer
Ayırma Bloğu
Abstandsblock



VW Code	d ₁	h ₁
39D 592/10	25	??
39D 592/11	30	??
39D 592/12	40	??
39D 592/13	50	??



Order Example:
d₁=40, h₁=30
Order Code:
39D 592/12 H1=30

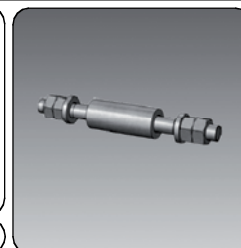
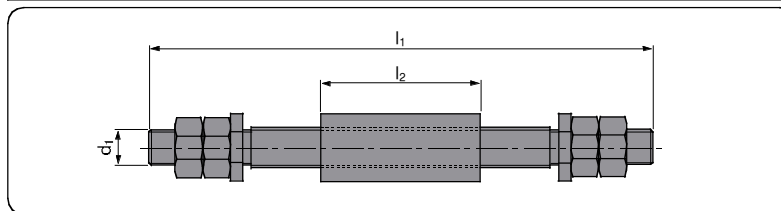
Material :
CK45

VW CODE:39D 592

h₁ is given by the customer.



39D 599
Tie Rod
Saplama
Druck Und Zuganker



VW CODE:39D 599

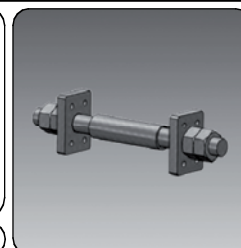
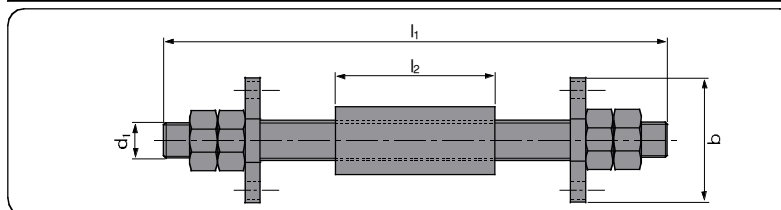
VW Code	d ₁	l ₁	l ₂
39D 599/1	M42x1,5	???	???

Material :
Steel

l₁ and l₂ are given by the customer.



39D 599
Tie Rod
Saplama
Druck Und Zuganker



VW CODE:39D 599

VW Code	b	d ₁	l ₁	l ₂
39D 599/2	140	M42x1,5	???	???
39D 599/5	160	M42x1,5	???	???

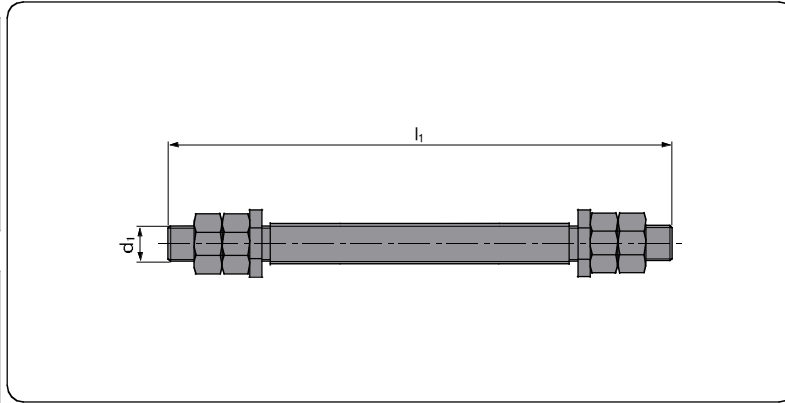
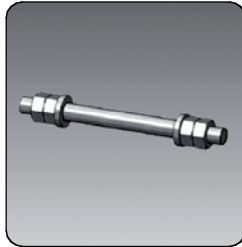
Material :
Steel

l₁ and l₂ are given by the customer.



39D 599

Tie Rod
Saplama
Druck Und Zuganker



Material :
Steel

l_1 and l_2 are given by the customer.

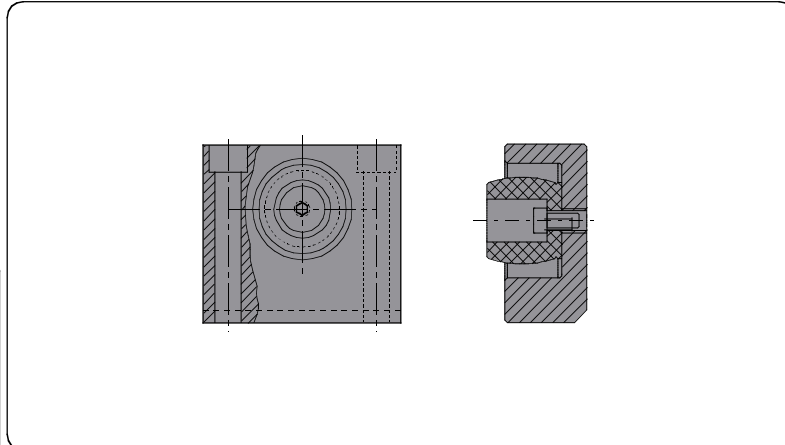
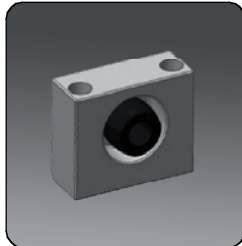
VW Code	d_1	l_1
39D 599/3	M42x1,5	???
39D 599/4	M56x1,5	???

VW CODE:39D 599



39D 630

Slide Stop Block
Kızak Stoplama Bloğu
Schieberanschlag



Material :
CK45
CO-Polyester Elastomer

VW Code
39D 630/20

VW CODE:39D 630

