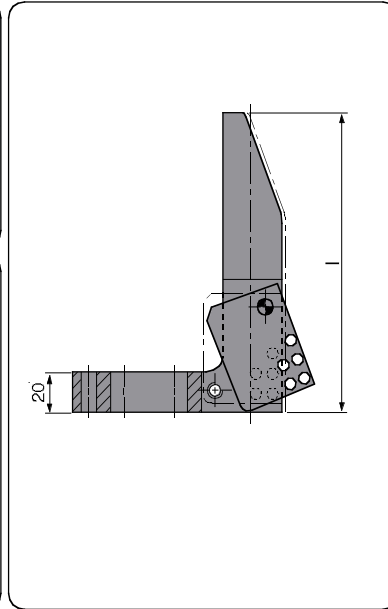




39D 639

Gage with panel position sensor, hardened
 Sertleştirilmiş Kontrol Parçalı Mekanik Dayamalar
 Einweiser für Teillagekontrolle Gehärtet



VW Code	l
39D 639/20	120
39D 639/21	150
39D 639/22	180
39D 639/23	250

Material (Gage) :
 CK60
 Forged
 Hardened
 HRC 50 ÷ 55

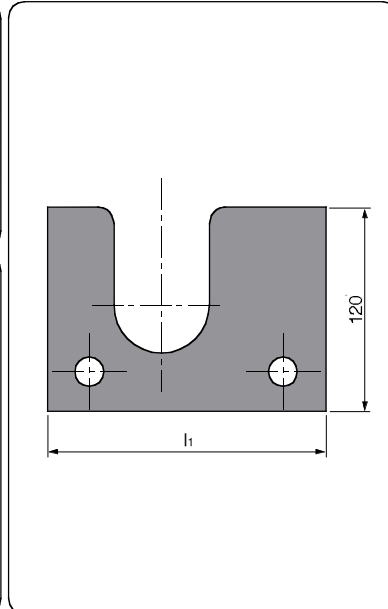
Material (Plate) :
 Steel
 Hardened
 HRC 58 ÷ 60

VW CODE:39D 639



39D 649

Shim
 Ayar Plakası
 Spanschlitz



VW Code	l1
39D 649/1	110
39D 649/2	135
39D 649/3	185
39D 649/4	160

Material :
 Steel

VW CODE:39D 649