

AISI

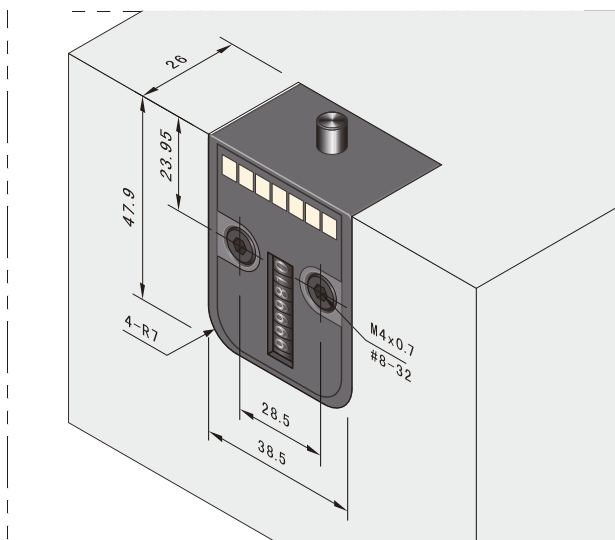
Mold counter



KCPL
KCPM

1. The counters are installed in the plates in the case of having enough installation location.
2. If the temperature is too high, use the mold counter with insulating plate and install outside the mold. (it can not influence mold inner structure after blocking) .
3. Max. working temperature 120 .

Installation Diagram:



KCPL/KCPM

Code	Equipped screw(2 pcs)
KCPL(Inch)	#8-32x1
KCPM(Metric)	M4x0.7x25

Work temperature below 120 degrees