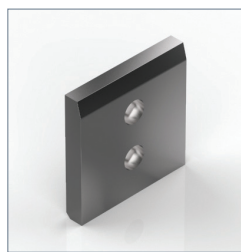




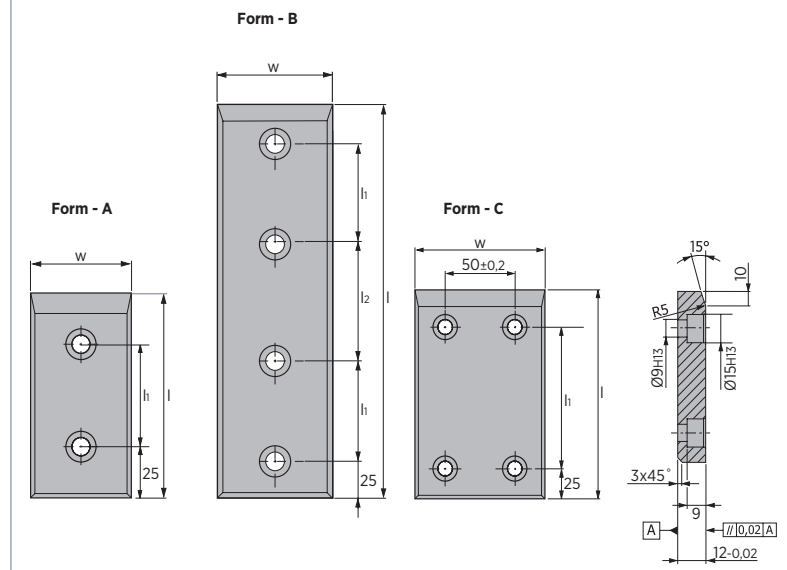
G223-01

Celik Kılavuz Plakalar
Wear Plates Steel
Gleitplatten, Stahl

2



Material :
16MnCr5
Surface Hardened
HRC 60 ± 64



CODE	Form	w	l ±0,2	h ±0,2	l ₂ ±0,2
G223-01-030-080	A	30	80	30	-
G223-01-030-100	A	30	100	50	-
G223-01-030-125	A	30	125	75	-
G223-01-030-160	A	30	160	110	-
G223-01-030-200	A	30	200	150	-
G223-01-040-080	A	40	80	30	-
G223-01-040-100	A	40	100	50	-
G223-01-040-125	A	40	125	75	-
G223-01-040-160	A	40	160	110	-
G223-01-040-200	A	40	200	150	-
G223-01-050-080	A	50	80	30	-
G223-01-050-100	A	50	100	50	-
G223-01-050-125	A	50	125	75	-
G223-01-050-160	A	50	160	110	-
G223-01-050-180	A	50	180	130	-
G223-01-050-200	A	50	200	150	-
G223-01-050-250	B	50	250	60	80
G223-01-050-300	B	50	300	80	90

CODE	Form	w	l ±0,2	h ±0,2	l ₂ ±0,2
G223-01-050-350	B	50	350	100	100
G223-01-050-400	B	50	400	120	110
G223-01-060-080	A	60	80	30	-
G223-01-060-100	A	60	100	50	-
G223-01-060-125	A	60	125	75	-
G223-01-060-160	A	60	160	110	-
G223-01-060-180	A	60	180	130	-
G223-01-060-200	A	60	200	150	-
G223-01-080-080	A	80	80	30	-
G223-01-080-100	A	80	100	50	-
G223-01-080-125	A	80	125	75	-
G223-01-080-160	A	80	160	110	-
G223-01-080-200	A	80	200	150	-
G223-01-100-125	C	100	125	75	-
G223-01-100-160	C	100	160	110	-
G223-01-100-200	C	100	200	150	-
G223-01-100-225	C	100	225	175	-
G223-01-100-250	C	100	250	200	-