



G234-03

Gerü Dönüş Plakaları
Positive Return Clamp for V Drivers
Positive Rendite Klemme für V Bloks

2

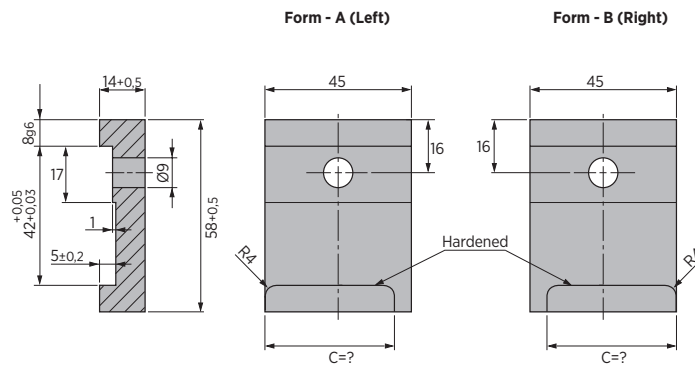


Material :
Steel



Hardened
HRC 30 ÷ 35

C dimension is given by the
customer.



CODE	Form	Location
G234-03-045-C	A + B	Set both sides
G234-03-045L-C	A	Left
G234-03-045R-C	B	Right