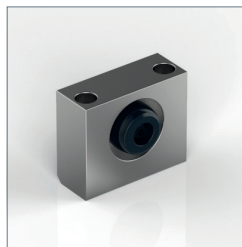




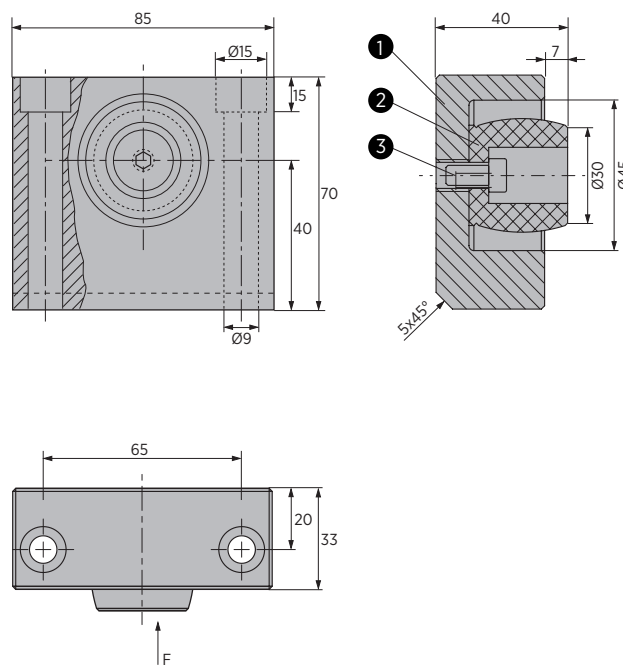
M309-05

Kızak Stoplama Bloğu
Slide Stop Block
Schieberranschlag

3



- 1 Material: CK45
- 2 Shock Absorber
- 3 M6x12 DIN 912



CODE	Fmax. (kN)	Max. Energy Absorbed (J)	Max. Stroke (mm)
M309-05-033085	3,75	8	7