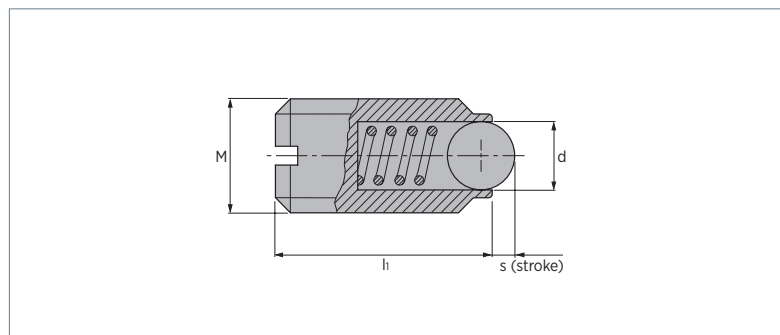




M314-01

Yaylı İtçiler
Spring Plungers
Federnde Druckstücke mit Sechskant



Material :
Steel Class 5.8
Hardened inox.



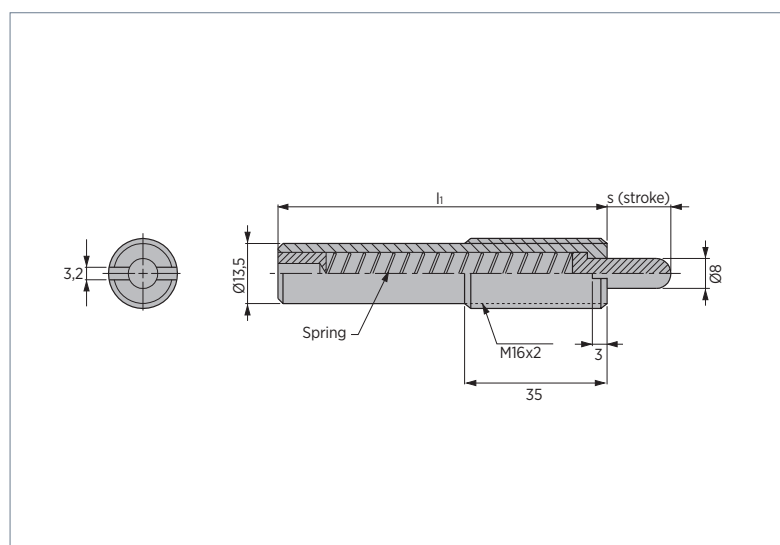
3

| CODE | d | l ₁ | s | M | Initial Force (N) | Final Force (N) |
|-------------|-----|----------------|-----|-----|-------------------|-----------------|
| M314-01-004 | 2.5 | 9 | 0.8 | M4 | 6 | 12 |
| M314-01-005 | 3 | 12 | 0.9 | M5 | 7 | 13 |
| M314-01-006 | 3.5 | 14 | 1.0 | M6 | 9 | 15 |
| M314-01-008 | 5 | 16 | 1.5 | M8 | 20 | 35 |
| M314-01-010 | 6 | 19 | 2.0 | M10 | 25 | 45 |
| M314-01-012 | 8 | 22 | 2.5 | M12 | 35 | 60 |
| M314-01-016 | 10 | 24 | 3.5 | M16 | 65 | 110 |



M314-02

Yaylı İtçiler
Spring Plungers
Federnde Druckstücke mit Sechskant



Material :
C80W2



Hardened
HRC 36 ÷ 40

Body 34CrMo4

Springs C80W2

Hardened
HRC 36 ÷ 40

Black oxide finish.

| CODE | l ₁ | s | Initial Force (N) | Final Force (N) |
|-------------|----------------|----|-------------------|-----------------|
| M314-02-060 | 150 | 60 | 11 | 45 |
| M314-02-080 | 200 | 80 | 2 | 38 |