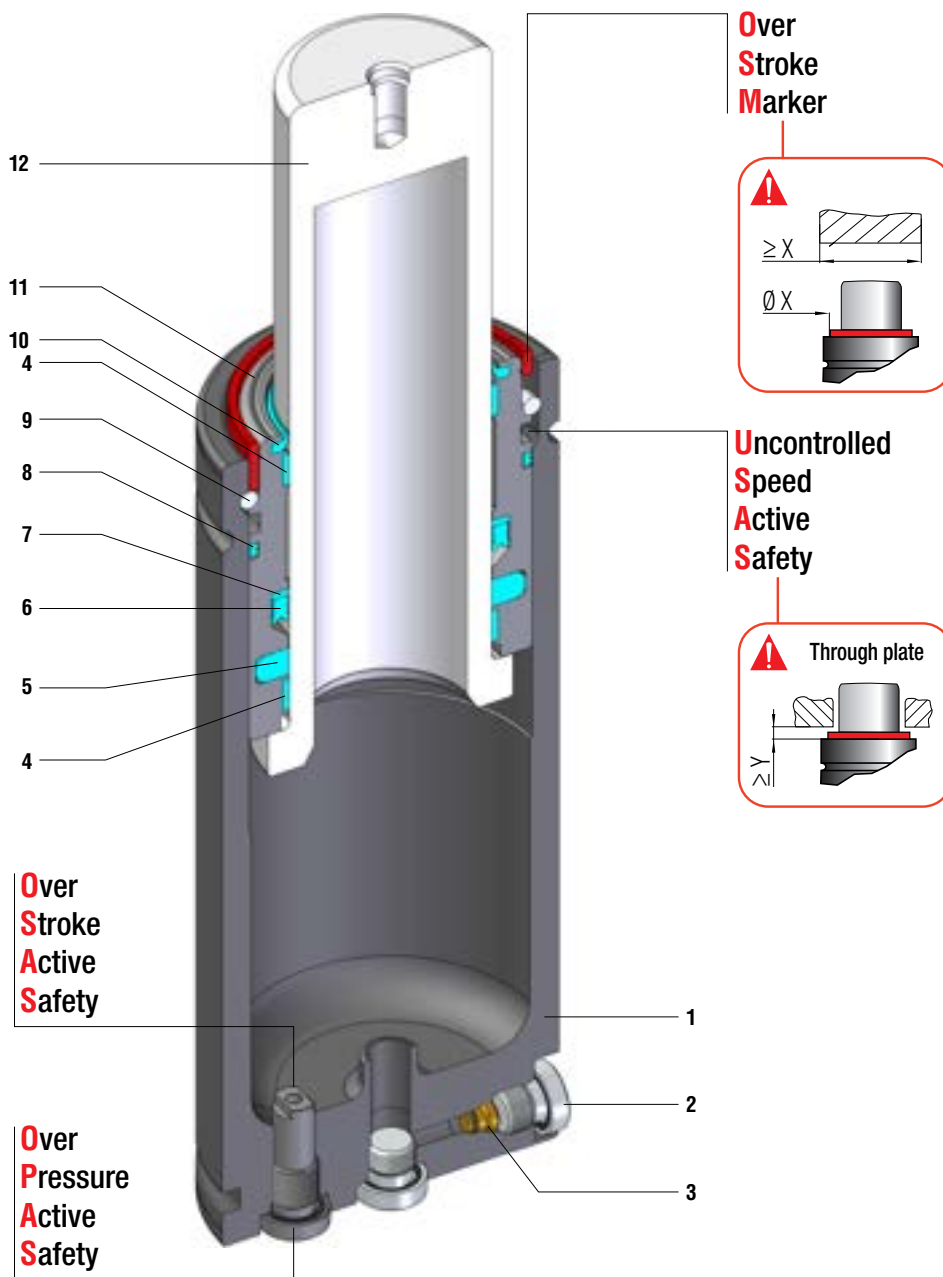


ISO	VDI	BMW
FCA	VW	



ISO standard, forza potenziata - ISO standard, high force - ISO Standard, erhöhte Kraft
 Standard ISO, force majorée - ISO standard, fuerza potenciada - Norma ISO, força permitida

SEALING	ROD SEAL
DESIGN	BUSH - BODY DESIGN

1	Body	5	Rod seal	9	Retaining ring
2	Plug	6	Rod seal	10	Rod wiper
3	Valve	7	Back-up ring	11	Bush
4	Guide ring	8	Dual ring seal	12	Rod (nitrited superfinished)



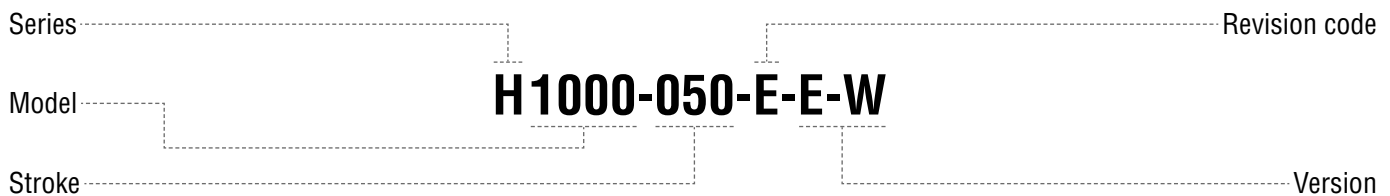
RANGE CHART

Model	Body Ø		Stroke Cu		Initial force F0						
	mm	inch	mm	inch	daN	lb	OSAS	USAS	OPAS	SKUDO	SW
H 300	32	1.26	10 - 125	0.39 - 4.92	300	674	✓	✓	✓	-	✓
H 500	38	1.50	10 - 125	0.39 - 4.92	470	1057	✓	✓	✓	-	✓
HF 500	M 38 X 1,5		10 - 125	0.39 - 4.92	470	1057	✓	✓	✓	-	✓
H 700	45	1.77	10 - 200	0.51 - 7.87	680	1529	✓	✓	✓	-	✓
H 1000	50	1.97	13 - 300	0.51 - 11.81	920	2383	✓	✓	✓	-	✓
H 1500	63	2.48	13 - 300	0.51 - 11.81	1530	3440	✓	✓	✓	-	✓
H 2400	75	2.95	25 - 300	0.98 - 11.81	2385	5362	✓	✓	✓	-	✓
H 4200	95	3.74	25 - 300	0.98 - 11.81	4240	9532	✓	✓	✓	-	✓
H 6600	120	4.72	25 - 300	0.98 - 11.81	6630	14905	✓	✓	✓	-	✓
H 9500	150	5.91	25 - 300	0.98 - 11.81	9540	21446	✓	✓	✓	-	✓
H 18500	195	7.68	25 - 300	0.98 - 11.81	18400	41365	✓	✓	✓	-	✓
H 20000	195	7.68	25 - 300	0.98 - 11.81	19910	44756	✓	✓	✓	-	✓

✓ Built-in as standard

✓ Optional upon request

HOW TO ORDER



Available versions

H 1000-050-E	H 1000-050-E-W	H 1000-050-E-N	H 1000-050-E-N-W	H 1000-050-E-E	H 1000-050-E-E-W
Standard code	Add "-W" to standard code	Add "-N" to standard code	Add "-N-W" to standard code	Add "-E" to standard code	Add "-E-W" to standard code
Self contained	Self contained	Linkable	Linkable	Easy Manifold	Easy Manifold
	+ Secondary wiper		+ Secondary wiper		+ Secondary wiper