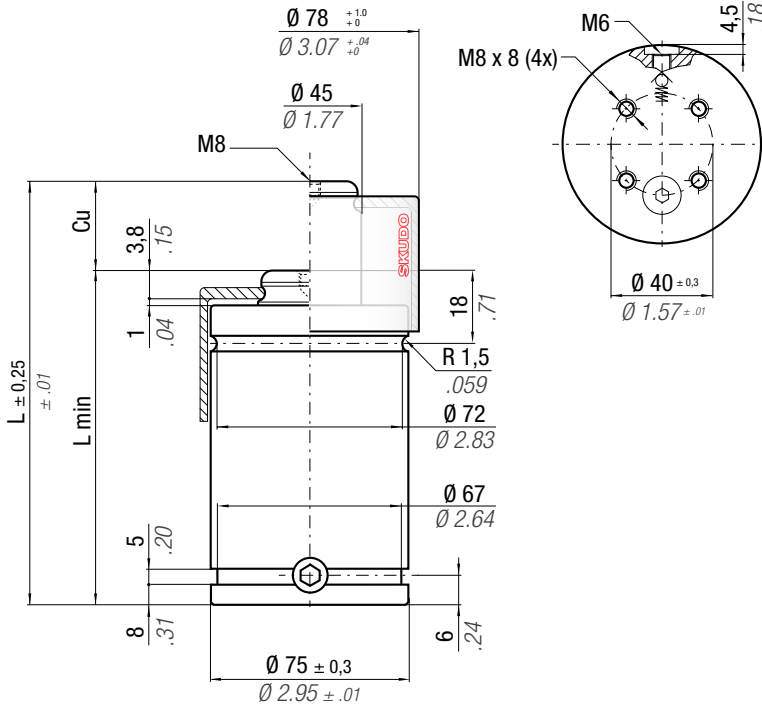




KE 4700



Il nuovo codice sarà fornito solo ad esaurimento del vecchio

The new code will be supplied only when the old will be out of stock

Der neue Kode wird nur angegeben, wenn der alte nicht mehr lieferbar ist

Le nouveau code sera fourni uniquement lorsque le vieux stock sera écoulé

El nuevo código será suministrado sólo cuando se agoten las existencias del antiguo

O novo código irá ser fornecido apenas quando o antigo esgotar stock



SW

ACTIVE SAFETY



OSAS



USAS



OPAS



SKUDO



* $F_{1i} =$

Isothermal end force at 100% Cu

** $F_{1p} =$

Polytrophic end force at 100% Cu

| | N ₂ | 0 - 80 °C 32 - 176 °F | ΔP ± 0,33 %/°C | P max 150 bar 2175 psi | P min 20 bar 290 psi | S 31,17 cm ² 4.831 in ² | SPM ~ 80 - 100 (at 20°C) | Max Speed 0,8 m/s 31.5 in/s | Maintenance kit 39BMKE04700B |
|-------------------|----------------|--------------------------|---------------------------|------------------------------|----------------------------|---|--------------------------------|-----------------------------------|---------------------------------|
| CODE | | Cu | L | L min | F ₀ | F _{1i} * | F _{1p} ** | V ₀ | |
| | | mm inch | mm inch | mm inch | daN lb | daN lb | daN lb | cm ³ in ³ | ~Kg ~lb |
| KE 4700 - 010 - B | | 10 0.39 | 80 3.15 | 70 2.76 | 4675 10510 ± 5% | 8001 17986 | 9986 22449 | 86 5.24 | 1,62 3.57 |
| KE 4700 - 016 - B | | 16 0.63 | 106 4.17 | 90 3.54 | | 7460 16771 | 9100 20458 | 154 9.37 | 1,85 4.08 |
| KE 4700 - 025 - B | | 25 0.98 | 135 5.31 | 110 4.33 | 150 bar 2175psi | 7775 17478 | 9613 21611 | 224 13.68 | 2,10 4.63 |
| KE 4700 - 032 - B | | 32 1.26 | 167 6.57 | 135 5.31 | | 7444 16734 | 9074 20398 | 308 18.82 | 2,39 5.27 |
| KE 4700 - 040 - B | | 40 1.57 | 200 7.87 | 160 6.30 | + 20 °C +68 °F | 7358 16541 | 8935 20086 | 394 24.02 | 2,68 5.91 |
| KE 4700 - 050 - B | | 50 1.97 | 240 9.45 | 190 7.48 | | 7323 16464 | 8879 19962 | 496 30.28 | 3,03 6.68 |
| KE 4700 - 065 - B | | 65 2.56 | 273 10.75 | 208 8.19 | 7924 17813 | 9858 22162 | 566 34.53 | 3,30 7.28 | |

