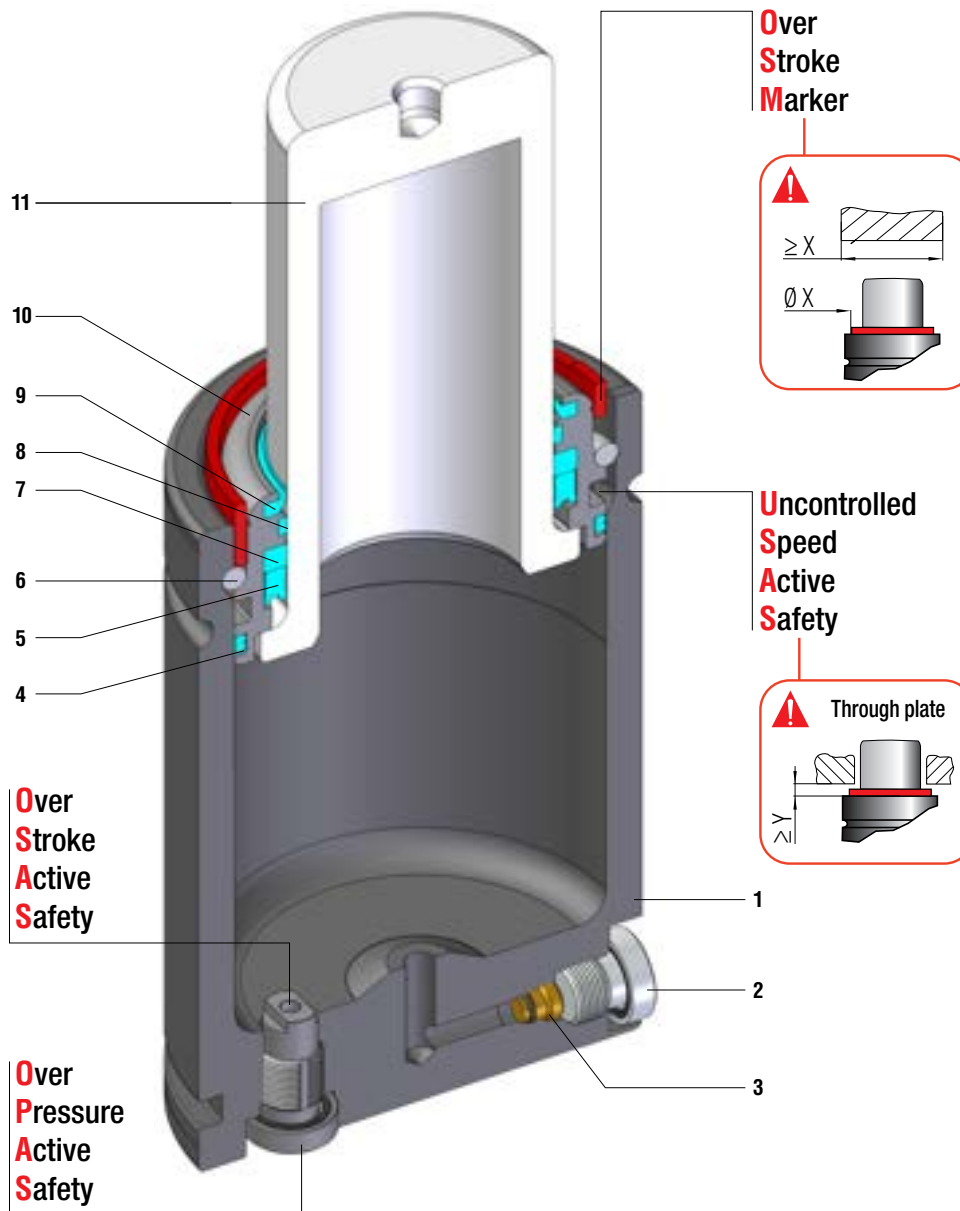


FCA		



Minima altezza, massima forza, collegabili G1/8 - Minimum height, maximum force, hose cylinders with G1/8 charging port
 Minimale Höhe, maximale Kraft, Gdf. mit G1/8 Öffnung verbindbar - Hauteur minimale, force maximale, cylindres raccordés avec trou G1/8 gaz
 Mínima altura, máxima fuerza, cilindros conectados con agujero G1/8 gas - Altura mínima, força máxima, cilindros conectados com furo G1/8 gás

SEALING	ROD SEAL
DESIGN	BUSH - BODY DESIGN

1	Body	5	Rod seal	9	Rod wiper
2	Plug	6	Retaining ring	10	Bush
3	Valve	7	Back-up ring	11	Rod (nitrited superfinished)
4	Dual ring seal	8	Guide ring		



SERIES

RF
linkable G1/8"

RANGE CHART

Model	Body Ø		Stroke Cu		Initial force F0								
	mm	inch	mm	inch	daN	lb	OSAS	USAS	OPAS	SKUDO	SW		
RF 750	45	1.77	10 - 125	0.39 - 4.92	740	1664	✓	✓	✓	-	✓		
RF 1000	50	1.97	13 - 125	0.51 - 4.92	920	2068	✓	✓	✓	-	✓		
RF 1200	50	1.97	13 - 125	0.51 - 4.92	1060	2383	✓	✓	✓	-	✓		
RF 1500	63	2.48	13 - 125	0.51 - 4.92	1530	3440	✓	✓	✓	-	✓		
RF 2400	75	2.95	16 - 125	0.63 - 4.92	2385	5362	✓	✓	✓	-	✓		
	95	3.74	RV series									✓	✓
	120	4.72										✓	✓
	150	5.91										✓	✓
	150	5.91										✓	✓
	195	7.68										✓	✓

✓ Built-in as standard

✓ Optional upon request

HOW TO ORDER



Available versions

<p>RF 2400-050-B Standard code</p> <p> Self contained</p>	<p>RF 2400-050-B-W Add "-W" to standard code</p> <p> Self contained + Secondary wiper</p>	<p>RF 2400-050-B-N Add "-N" to standard code</p> <p> Linkable</p>	<p>RF 2400-050-B-N-W Add "-N-W" to standard code</p> <p> Linkable + Secondary wiper</p>	<p>RF 2400-050-B-E Add "-E" to standard code</p> <p> Easy Manifold</p>	<p>RF 2400-050-B-E-W Add "-E-W" to standard code</p> <p> Easy Manifold + Secondary wiper</p>
--	---	--	---	---	--