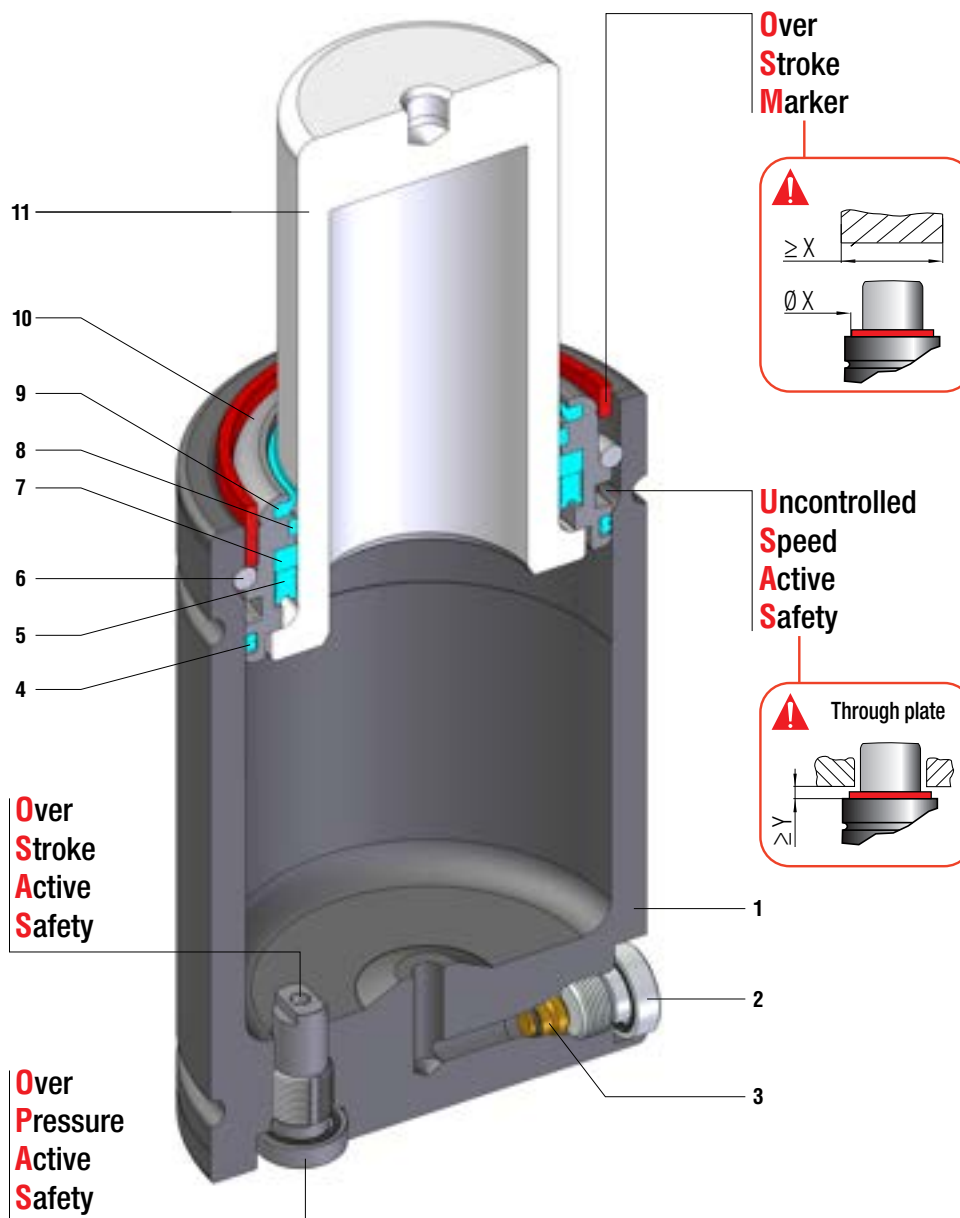


## RT SERIES

Mazda	Nissan	PSA
Renault	Toyota	



Minima altezza, massima forza, collegabili G1/8 - Minimum height, maximum force, hose cylinders with G1/8 charging port  
 Minimale Höhe, maximale Kraft, Gdf. mit G1/8 Öffnung verbindbar - Hauteur minimale, force maximale, cylindres raccordés avec trou G1/8 gaz  
 Mínima altura, máxima fuerza, cilindros conectados con agujero G1/8 gas - Altura mínima, força máxima, cilindros conectados com furo G1/8 gás

<b>SEALING</b>	ROD SEAL
<b>DESIGN</b>	BUSH - BODY DESIGN

<b>1</b>	Body	<b>5</b>	Rod seal	<b>9</b>	Rod wiper
<b>2</b>	Plug	<b>6</b>	Retaining ring	<b>10</b>	Bush
<b>3</b>	Valve	<b>7</b>	Back-up ring	<b>11</b>	Rod (nitrited superfinished)
<b>4</b>	Dual ring seal	<b>8</b>	Guide ring		



### RANGE CHART

Model	Body Ø		Stroke Cu		Initial force F0						
	mm	inch	mm	inch	daN	lb	OSAS	USAS	OPAS	SKUDO	SW
RT 350	32	1.26	10 - 125	0.39 - 4.92	360	809	✓	✓	✓	-	✓
RT 500	38	1.50	10 - 125	0.39 - 4.92	470	1057	✓	✓	✓	-	✓
RT 750	45	1.77	10 - 125	0.39 - 4.92	740	1664	✓	✓	✓	-	✓
RT 1000	50	1.97	10 - 125	0.39 - 4.92	920	2068	✓	✓	✓	-	✓
RT 1200	50	1.97	10 - 125	0.39 - 4.92	1060	2383	✓	✓	✓	-	✓
RT 1500	63	2.48	10 - 125	0.39 - 4.92	1530	3440	✓	✓	✓	-	✓
RT 2400	75	2.95	10 - 125	0.39 - 4.92	2385	5362	✓	✓	✓	-	✓
RT 4200	95	3.74	16 - 125	0.63 - 4.92	4240	9532	✓	✓	✓	-	✓
RT 6600	120	4.72	16 - 125	0.63 - 4.92	6630	14905	✓	✓	✓	-	✓
RT 9500	150	5.91	19 - 125	0.75 - 4.92	9540	21447	✓	✓	✓	-	✓

✓ Built-in as standard

✓ Optional upon request

### HOW TO ORDER



#### Available versions

<b>RT 2400-050-B</b> Standard code	<b>RT 2400-050-B-W</b> Add "-W" to standard code	<b>RT 2400-050-B-N</b> Add "-N" to standard code	<b>RT 2400-050-B-N-W</b> Add "-N-W" to standard code	<b>RT 2400-050-B-E</b> Add "-E" to standard code	<b>RT 2400-050-B-E-W</b> Add "-E-W" to standard code
Self contained	Self contained +  Secondary wiper	Linkable	Linkable +  Secondary wiper	Easy Manifold	Easy Manifold +  Secondary wiper