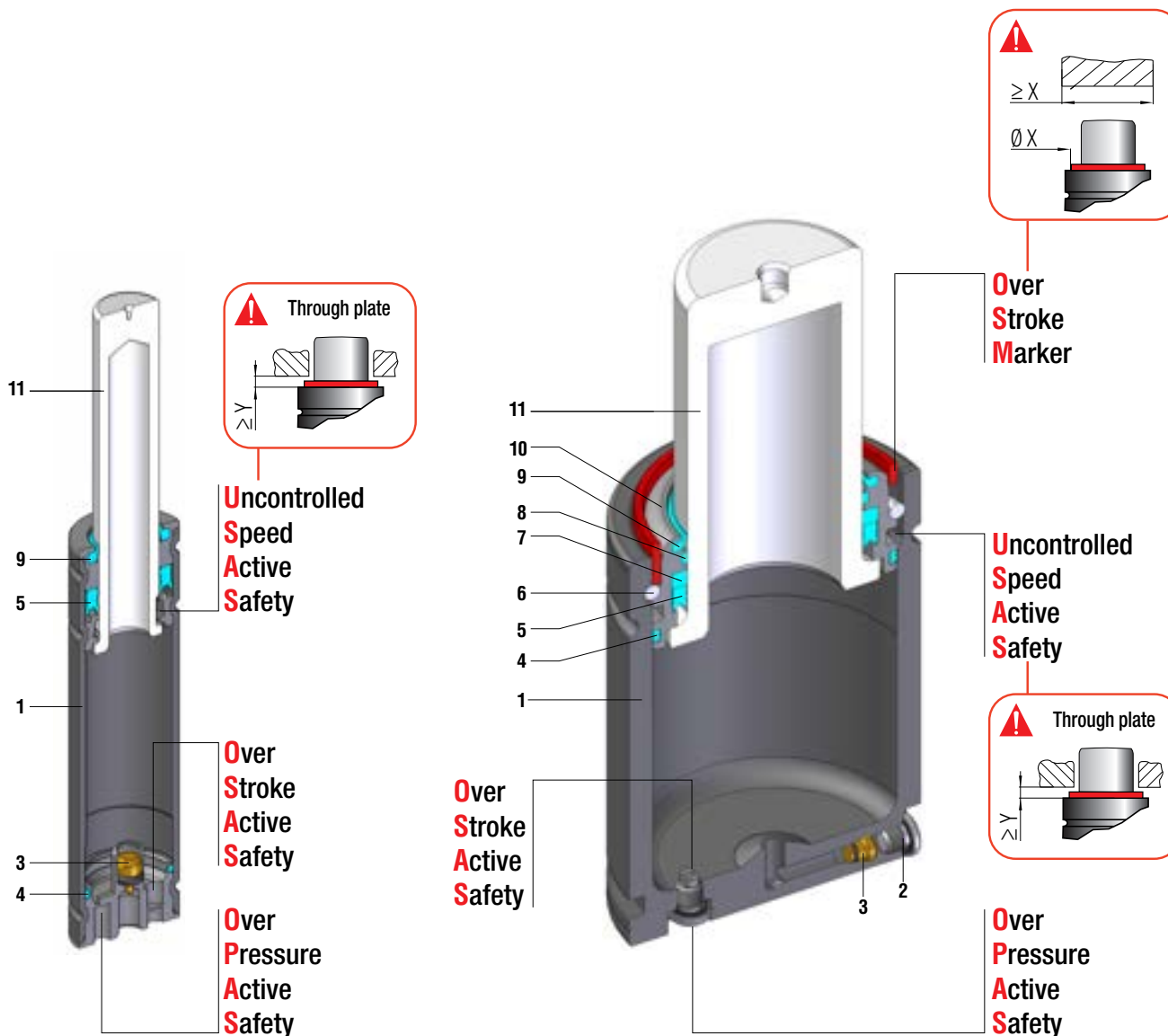


RV SERIES

ISO	VDI	BMW	FCA
Ford	Mazda	MB	Nissan
PSA	Renault	VW	



RV 170 - RV 320

RV 350 ÷ RV 20000

Minima altezza, massima forza - Minimum height, maximum force - Minimale Höhe, maximale Kraft
 Hauteur minimale, force maximale - Mínima altura, máxima fuerza - Altura mínima, força máxima

SEALING	ROD SEAL
DESIGN	BUSH - BODY DESIGN

1	Body	5	Rod seal	9	Rod wiper
2	Plug	6	Retaining ring	10	Bush
3	Valve	7	Back-up ring	11	Rod (nitrited superfinished)
4	Dual ring seal	8	Guide ring		



RANGE CHART

Model	Body Ø		Stroke Cu		Initial force F0						
	mm	inch	mm	inch	daN	lb	OSAS	USAS	OPAS	SKUDO	SW
RV 170	19	0.75	7 - 125	0.28 - 4.92	170	382	✓	✓	✓	-	✓
RV 320	25	0.98	7 - 125	0.28 - 4.92	320	719	✓	✓	✓	-	✓
RV 350	32	1.26	10 - 125	0.39 - 4.92	360	809	✓	✓	✓	-	✓
RV 500	38	1.50	10 - 125	0.39 - 4.92	470	1057	✓	✓	✓	-	✓
RV 750	45	1.77	10 - 125	0.39 - 4.92	740	1664	✓	✓	✓	-	✓
RV 1000	50	1.97	10 - 125	0.39 - 4.92	920	2068	✓	✓	✓	-	✓
RV 1200	50	1.97	10 - 125	0.39 - 4.92	1060	2383	✓	✓	✓	-	✓
RV 1500	63	2.48	10 - 125	0.39 - 4.92	1530	3440	✓	✓	✓	-	✓
RV 2400	75	2.95	10 - 125	0.39 - 4.92	2385	5362	✓	✓	✓	-	✓
RV 4200	95	3.74	16 - 125	0.63 - 4.92	4240	9532	✓	✓	✓	-	✓
RV 6600	120	4.72	16 - 125	0.63 - 4.92	6630	14905	✓	✓	✓	-	✓
RV 9500	150	5.91	19 - 125	0.75 - 4.92	9540	21447	✓	✓	✓	-	✓
RV 12000	150	5.91	19 - 125	0.75 - 4.92	11780	26470	✓	✓	✓	-	✓
RV 20000	195	7.68	19 - 125	0.75 - 4.92	19910	44738	✓	✓	✓	-	✓

✓ Built-in as standard

✓ Optional upon request



HOW TO ORDER

Series _____ Revision code _____

Model **RV 1000-063-B-E-W**

Stroke _____ Version _____

Available versions

RV 1000-063-B Standard code	RV 1000-063-B-W Add "-W" to standard code	RV 1000-063-B-N Add "-N" to standard code	RV 1000-063-B-N-W Add "-N-W" to standard code	RV 1000-063-B-E Add "-E" to standard code	RV 1000-063-B-E-W Add "-E-W" to standard code
Self contained	Self contained	Linkable	Linkable	Easy Manifold	Easy Manifold
	+ Secondary wiper		+ Secondary wiper		+ Secondary wiper