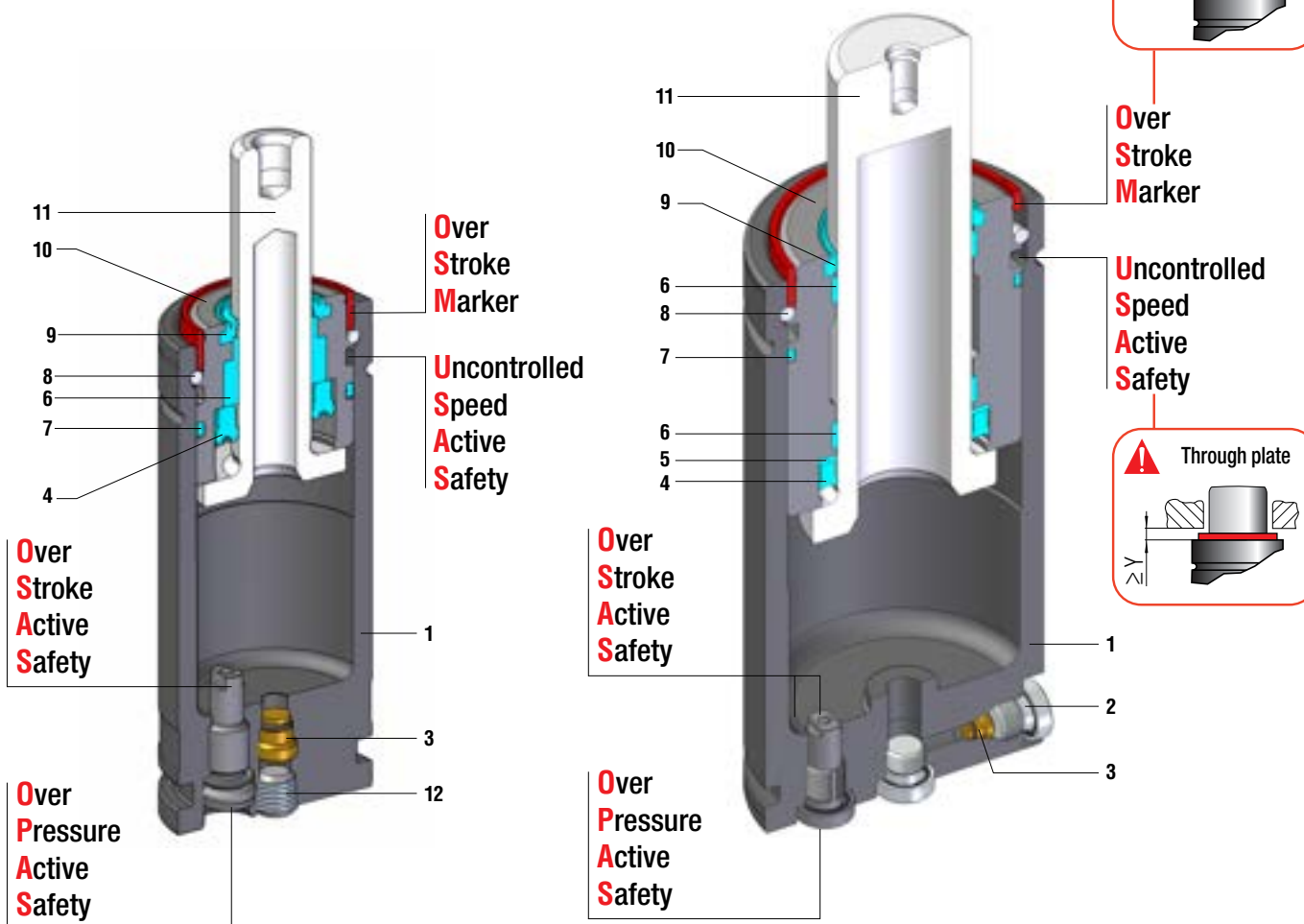


SC SERIES

ISO	VDI	BMW
FCA	Ford	Mazda
MB	Nissan	PSA
Renault	Suzuki	VW



SC 200

SC 150 ÷ SC 10000

ISO 11901 standard - ISO 11901 standard - ISO 11901 standard
 Conforme ISO 11901 - ISO 11901 standard - Norma ISO 11901

SEALING	ROD SEAL
DESIGN	BUSH - BODY DESIGN

1	Body	5	Back-up ring	9	Rod wiper
2	Plug	6	Guide ring	10	Bush
3	Valve	7	Dual ring seal	11	Rod (nitrited superfinished)
4	Rod seal	8	Retaining ring	12	Stopper



RANGE CHART

Model	Body Ø		Stroke Cu		Initial force F0						
	mm	inch	mm	inch	daN	lb	OSAS	USAS	OPAS	SKUDO	SW
SC 150	32	1.26	10 - 125	0.39 - 4.92	170	382	✓	✓	✓	-	✓
SC 200	32	1.26	10 - 125	0.39 - 4.92	170	382	✓	✓	✓	-	✓
SC 250	38	1.50	10 - 125	0.39 - 4.92	260	585	✓	✓	✓	-	✓
SCF 250	M 38 X 1,5		10 - 125	0.39 - 4.92	260	585	✓	✓	✓	-	✓
SC 500	45	1.77	10 - 200	0.39 - 6.30	470	1057	✓	✓	✓	-	✓
SC 750	50	1.97	13 - 300	0.51 - 11.81	740	1664	✓	✓	✓	-	✓
SC 1500	75	2.95	13 - 300	0.51 - 11.81	1530	3440	✓	✓	✓	-	✓
SC 3000	95	3.74	13 - 300	0.51 - 11.81	2945	6621	✓	✓	✓	-	✓
SC 5000	120	4.72	25 - 300	0.98 - 11.81	4980	11195	✓	✓	✓	-	✓
SC 7500	150	5.91	25 - 300	0.98 - 11.81	7540	16950	✓	✓	✓	-	✓
SC 10000	195	7.68	25 - 300	0.98 - 11.81	10600	23830	✓	✓	✓	-	✓

✓ Built-in as standard ✓ Optional upon request

HOW TO ORDER

Series _____ Revision code _____

Model **SC 1500-050-E-E-W**

Stroke _____ Version _____

Available versions

SC 1500-050-E Standard code	SC 1500-050-E-W Add "-W" to standard code	SC 1500-050-E-N Add "-N" to standard code	SC 1500-050-E-N-W Add "-N-W" to standard code	SC 1500-050-E-E Add "-E" to standard code	SC 1500-050-E-E-W Add "-E-W" to standard code
Self contained	Self contained + Secondary wiper	Linkable	Linkable + Secondary wiper	Easy Manifold	Easy Manifold + Secondary wiper