

H 18500



OSAS + OSM = OVER STROKE ACTIVE SAFETY + OVER STROKE MARKER

ACTIVE SAFETY

Il nuovo codice sarà fornito solo ad esaurimento del vecchio

The new code will be supplied only when the old will be out of stock

Der neue Kode wird nur angegeben, wenn der alte nicht mehr lieferbar ist

Le nouveau code sera fourni uniquement lorsque le vieux stock sera écolé

El nuevo código será suministrado sólo cuando se agoten las existencias del antiguo

O novo código irá ser fornecido apenas quando o antigo esgotar stock



OSAS



USAS

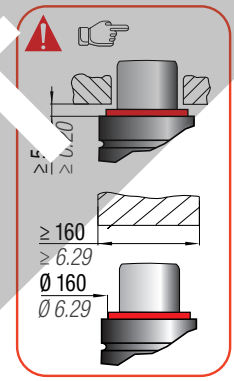
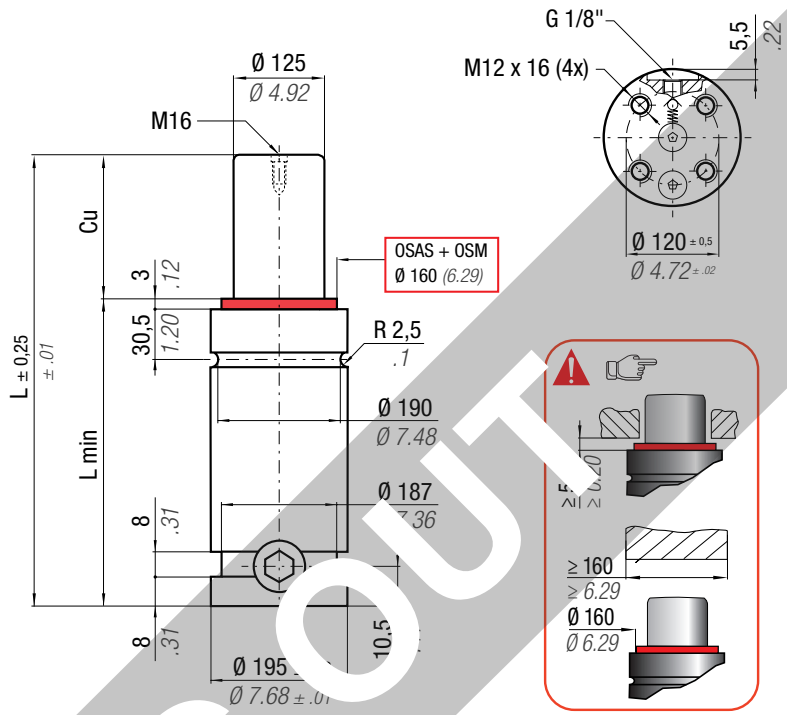


OPAS



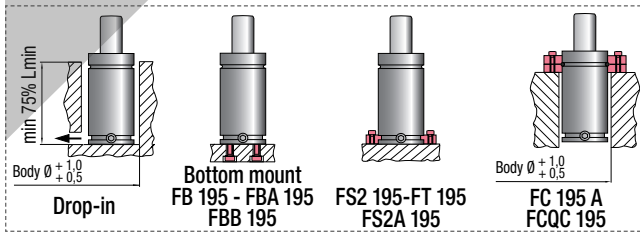
* F_{1i} = Isothermal end force at 100% Cu

** F_{1p} = Polytropic end force at 100% Cu



N ₂		0 - 80 °C 32 - 176 °F	ΔP ± 0,33 %/°C	P max 150 bar 2175 psi	P min 20 bar 290 psi	S 12,2 19,019 in ²	SPM ~ 10 - 70 (at 20°C)	Max Speed 1,8 m/s 70.8 in/s	Maintenance kit 39BMH18500C	
CODE	NEW	Cu	L	L min	P ₀	F _{1i} *	F _{1p} **	V ₀	PED	
PHASING OUT from 04/2021		mm / inch	mm / inch	mm / inch	daN / lb	daN / lb	daN / lb	cm ³ / in ³	~Kg / ~lb	2014/68/EU
H 18500 - 025 - C	H 18500 - 025 - D	25 / 0.98	21 / 0.82	19 / 0.72	18400 / 41363	23870 / 53662	27205 / 61158	1564 / 95.44	31,06 / 68.48	✓
H 18500 - 038 - C	H 18500 - 038 - D	38 / 1.50	236 / 9.29	195 / 7.80	± 5%	25611 / 57576	29871 / 67152	1924 / 117.42	32,53 / 71.72	✓
H 18500 - 050 - C	H 18500 - 050 - D	50 / 1.97	260 / 10.24	210 / 8.27	150 bar / 2175 psi	26853 / 60367	31808 / 71508	2257 / 137.72	33,89 / 74.71	✓
H 18500 - 063 - C	H 18500 - 063 - D	63 / 2.48	280 / 11.02	223 / 8.80	+ 20 °C + 68 °F	27923 / 62774	33503 / 75318	2617 / 159.70	35,36 / 77.96	✓
H 18500 - 075 - C	H 18500 - 075 - D	75 / 2.95	300 / 11.81	235 / 9.25		28728 / 64584	34791 / 78214	2950 / 179.99	36,70 / 80.91	✓
H 18500 - 080 - C	H 18500 - 080 - D	80 / 3.15	320 / 12.60	240 / 9.45		29023 / 65245	35265 / 79280	3088 / 188.44	37,28 / 82.19	✓
H 18500 - 100 - C	H 18500 - 100 - D	100 / 3.94	360 / 14.17	260 / 10.24		30016 / 67478	36876 / 82901	3642 / 222.26	39,54 / 87.17	✓
H 18500 - 125 - C	H 18500 - 125 - D	125 / 4.92	410 / 16.14	285 / 11.22		30954 / 69587	38414 / 86359	4335 / 264.54	42,37 / 93.41	✓
H 18500 - 150 - C	H 18500 - 150 - D	150 / 5.91	460 / 18.11	310 / 12.20		31668 / 71192	39595 / 89014	5028 / 306.81	45,19 / 99.63	✓
H 18500 - 160 - C	H 18500 - 160 - D	160 / 6.30	480 / 18.90	320 / 12.60		31908 / 71732	39994 / 89911	5305 / 323.72	46,33 / 102.14	✓
H 18500 - 175 - C	H 18500 - 175 - D	175 / 6.89	510 / 20.08	335 / 13.19		32229 / 72454	40530 / 91116	5721 / 349.09	48,00 / 108.00	✓
H 18500 - 200 - C	H 18500 - 200 - D	200 / 7.87	560 / 22.05	360 / 14.17		32683 / 73473	41289 / 92821	6413 / 391.36	50,85 / 112.11	✓
H 18500 - 250 - C	H 18500 - 250 - D	250 / 9.84	660 / 25.98	410 / 16.14		33369 / 75016	42444 / 95418	7799 / 475.91	56,51 / 124.58	✓
H 18500 - 300 - C	H 18500 - 300 - D	300 / 11.81	760 / 29.92	460 / 18.11		33864 / 76130	43283 / 97303	9184 / 560.45	62,16 / 137.04	✓

◆ Disposable



HOW TO ORDER

INSTALLATION GUIDELINE