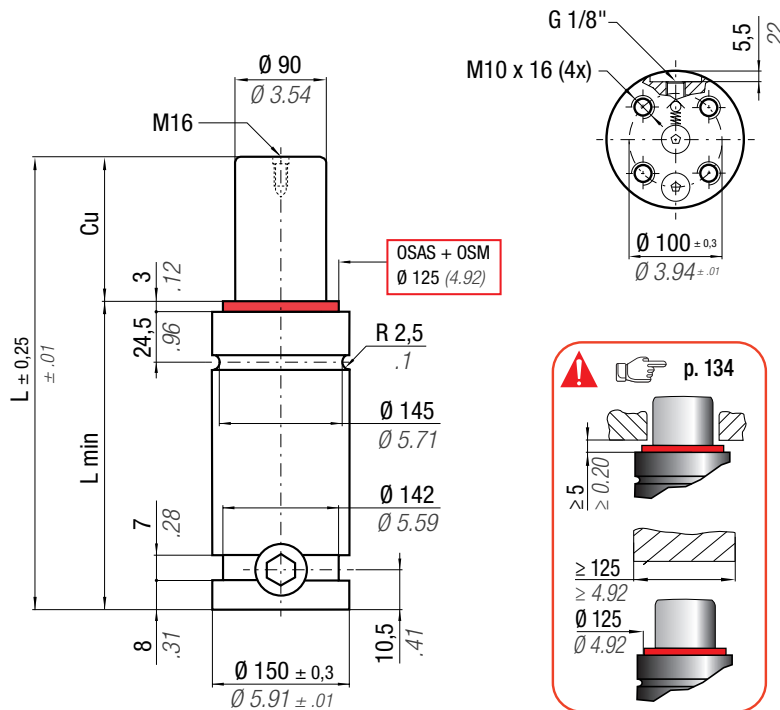




|                               |                  |               |                 |
|-------------------------------|------------------|---------------|-----------------|
| ISO 11901 - 4<br>39D 838 (VW) | VDI 3003 Blatt 4 | B2 4008 (BMW) | 075.90.65 (FCA) |
|-------------------------------|------------------|---------------|-----------------|

**H 9500**



**OSAS + OSM** = OVER STROKE ACTIVE SAFETY + OVER STROKE MARKER



Il nuovo codice sarà fornito solo ad esaurimento del vecchio  
 The new code will be supplied only when the old will be out of stock  
 Der neue Kode wird nur angegeben, wenn der alte nicht mehr lieferbar ist  
 Le nouveau code sera fourni uniquement lorsque le vieux stock sera écoulé  
 El nuevo código será suministrado sólo cuando se agoten las existencias del antiguo  
 O novo código irá ser fornecido apenas quando o antigo esgotar stock

**ACTIVE SAFETY**



OSAS



USAS



OPAS

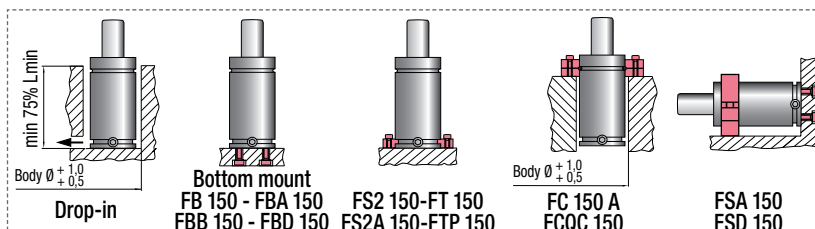


\*  $F_{1i}$  = Isothermal end force at 100% Cu

\*\*  $F_{1p}$  = Polytrophic end force at 100% Cu

|  |                          |                           |                                     |                                   |  |                                      |  |                                       |
|--|--------------------------|---------------------------|-------------------------------------|-----------------------------------|--|--------------------------------------|--|---------------------------------------|
|  | 0 - 80 °C<br>32 - 176 °F | $\Delta P$<br>± 0,33 %/°C | <b>P max</b><br>150 bar<br>2175 psi | <b>P min</b><br>20 bar<br>290 psi | <b>S</b><br>63,62 cm <sup>2</sup><br>9.861 in <sup>2</sup> | <b>SPM</b><br>~ 15 - 80<br>(at 20°C) | <b>Max Speed</b><br>1,8 m/s<br>70.8 in/s | <b>Maintenance kit</b><br>39BMH09500C |
|--|--------------------------|---------------------------|-------------------------------------|-----------------------------------|--|--------------------------------------|--|---------------------------------------|

| CODE PHASING OUT from 04/2021 | NEW              | Cu  |       | L   |       | L min |       | F0 Initial force                                      |    | F1i * End force * |       | F1p ** End force ** |       | Vo              |                 | ~Kg   | ~lb   | PED 2014/68/EU |
|-------------------------------|------------------|-----|-------|-----|-------|-------|-------|---|----|-------------------|-------|---------------------|-------|-----------------|-----------------|-------|-------|----------------|
|                               |                  | mm  | inch  | mm  | inch  | mm    | inch  | daN   | lb | daN               | lb    | daN                 | lb    | cm <sup>3</sup> | in <sup>3</sup> |       |       |                |
| H 9500 - 025 - C              | H 9500 - 025 - D | 25  | 0.98  | 205 | 8.07  | 180   | 7.09  | 9540 21446 ± 5%<br>150 bar 2175 psi<br>+ 20 °C +68 °F |    | 12146             | 27306 | 13759               | 30931 | 867             | 52.89           | 18,00 | 39.68 | ✓              |
| H 9500 - 038 - C              | H 9500 - 038 - D | 38  | 1.50  | 231 | 9.09  | 193   | 7.60  |   |    | 12927             | 29061 | 14945               | 33598 | 1074            | 65.53           | 18,82 | 41.49 | ✓              |
| H 9500 - 050 - C              | H 9500 - 050 - D | 50  | 1.97  | 255 | 10.04 | 205   | 8.07  |   |    | 13470             | 30282 | 15785               | 35485 | 1265            | 77.18           | 19,58 | 43.17 | ✓              |
| H 9500 - 063 - C              | H 9500 - 063 - D | 63  | 2.48  | 281 | 11.06 | 218   | 8.58  |   |    | 13930             | 31315 | 16504               | 37103 | 1472            | 89.82           | 20,41 | 45.00 | ✓              |
| H 9500 - 075 - C              | H 9500 - 075 - D | 75  | 2.95  | 305 | 12.01 | 230   | 9.06  |   |    | 14270             | 32081 | 17042               | 38311 | 1663            | 101.48          | 21,17 | 46.67 | ✓              |
| H 9500 - 080 - C              | H 9500 - 080 - D | 80  | 3.15  | 315 | 12.40 | 235   | 9.25  |   |    | 14394             | 32358 | 17238               | 38752 | 1743            | 106.34          | 21,49 | 47.38 | ✓              |
| H 9500 - 100 - C              | H 9500 - 100 - D | 100 | 3.94  | 355 | 13.98 | 255   | 10.04 |   |    | 14806             | 33285 | 17896               | 40232 | 2061            | 125.78          | 22,76 | 50.18 | ✓              |
| H 9500 - 125 - C              | H 9500 - 125 - D | 125 | 4.92  | 405 | 15.94 | 280   | 11.02 |   |    | 15189             | 34147 | 18515               | 41622 | 2459            | 150.07          | 24,35 | 53.68 | ✓              |
| H 9500 - 150 - C              | H 9500 - 150 - D | 150 | 5.91  | 455 | 17.91 | 305   | 12.01 |   |    | 15478             | 34795 | 18983               | 42674 | 2857            | 174.36          | 25,94 | 57.19 | ✓              |
| H 9500 - 160 - C              | H 9500 - 160 - D | 160 | 6.30  | 475 | 18.70 | 315   | 12.40 |   |    | 15574             | 35012 | 19139               | 43027 | 3017            | 184.08          | 26,58 | 58.60 | ✓              |
| H 9500 - 175 - C              | H 9500 - 175 - D | 175 | 6.89  | 505 | 19.88 | 330   | 12.99 |   |    | 15702             | 35300 | 19349               | 43498 | 3255            | 198.66          | 27,53 | 60.69 | ✓              |
| H 9500 - 200 - C              | H 9500 - 200 - D | 200 | 7.87  | 555 | 21.85 | 355   | 13.98 |   |    | 15882             | 35704 | 19644               | 44161 | 3654            | 222.96          | 29,12 | 64.20 | ✓              |
| H 9500 - 250 - C              | H 9500 - 250 - D | 250 | 9.84  | 655 | 25.79 | 405   | 15.94 |   |    | 16152             | 36311 | 20088               | 45161 | 4450            | 271.54          | 32,30 | 71.21 | ✓              |
| H 9500 - 300 - C              | H 9500 - 300 - D | 300 | 11.81 | 755 | 29.72 | 455   | 17.91 |   |    | 16345             | 36746 | 20408               | 45879 | 5246            | 320.13          | 35,47 | 78.20 | ✓              |



**HOW TO ORDER**



**INSTALLATION GUIDELINE**

