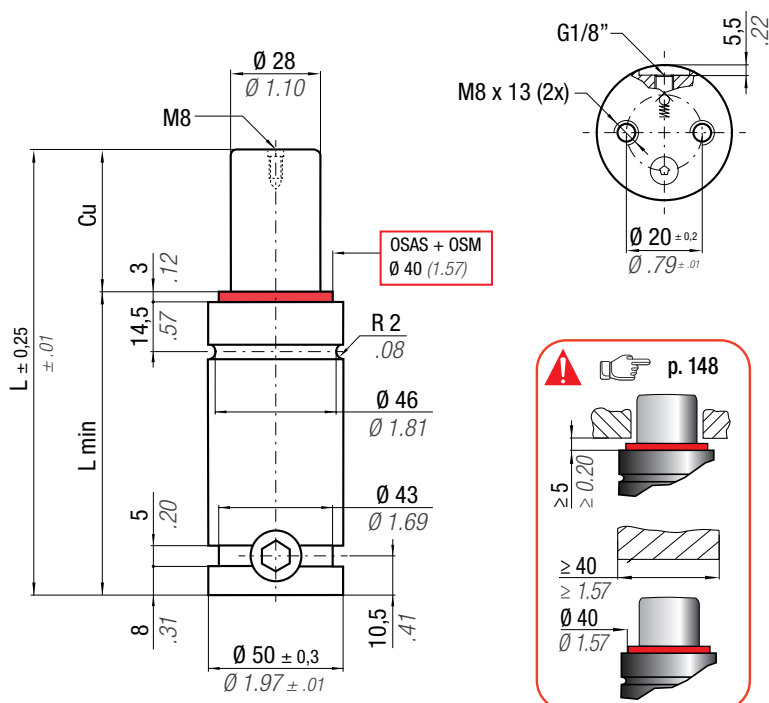




HT 1000 T2
100 ÷ 120°C / 212 ÷ 248°F

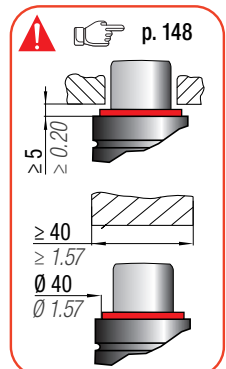


OSAS + OSM = OVER STROKE ACTIVE SAFETY + OVER STROKE MARKER

Il nuovo codice sarà fornito solo ad esaurimento del vecchio
The new code will be supplied only when the old will be out of stock
Der neue Kode wird nur angegeben, wenn der alte nicht mehr lieferbar ist
Le nouveau code sera fourni uniquement lorsque le vieux stock sera écoulé
El nuevo código será suministrado sólo cuando se agoten las existencias del antiguo
O novo código irá ser fornecido apenas quando o antigo esgotar stock



* F_{1i} = Isothermal end force at 100% Cu
** F_{1p} = Polytrophic end force at 100% Cu

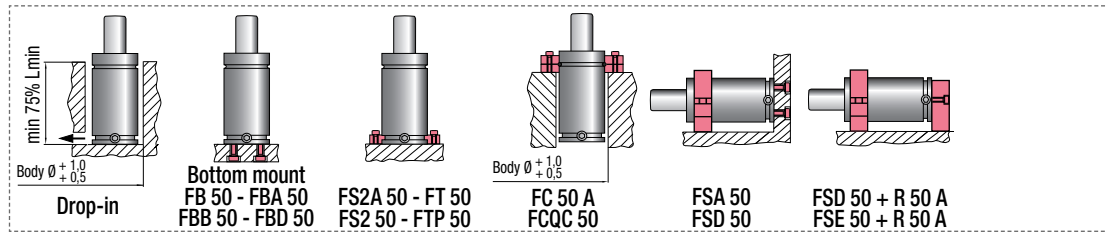


	100 - 120 °C 212 - 248 °F	ΔP ± 0,33 %/°C	P max 115 bar 1668 psi	P min 20 bar 290 psi	S 6,15 cm ² 0,953 in ²	SPM ~ 5 - 20	Max Speed 1 m/s 39,4 in/s	Maintenance kit 39BMHT01000A
--	------------------------------	---------------------------	-------------------------------------	-----------------------------------	---	------------------------	--	--

CODE PHASING OUT from 04/2021	NEW	Cu		L		L min		F0 Initial force		F1i * End force *		F1p ** End force **		Vo		PED 2014/68/EU		
		mm	inch	mm	inch	mm	inch	daN	lb	daN	lb	daN	lb	cm ³	in ³		~Kg	~lb
HT 1000-013-A-T2	HT 1000-013-B-T2	13	0.50	120,7	4.74	107,7	4.24			1206	2712	1393	3133	40	2.47	1,21	2.67	✓
HT 1000-025-A-T2	HT 1000-025-B-T2	25	0.98	145	5.71	120	4.72			1322	2971	1585	3563	59	3.60	1,32	2.91	✓
HT 1000-038-A-T2	HT 1000-038-B-T2	38	1.50	171	6.73	133	5.24			1398	3142	1715	3856	79	4.81	1,43	3.15	✓
HT 1000-050-A-T2	HT 1000-050-B-T2	50	1.97	195	7.68	145	5.71			1444	3247	1797	4039	97	5.92	1,53	3.37	✓
HT 1000-063-A-T2	HT 1000-063-B-T2	63	2.48	221	8.74	158	6.22	705	1585	1480	3328	1860	4181	117	7.13	1,64	3.62	✓
HT 1000-075-A-T2	HT 1000-075-B-T2	75	2.95	245	9.65	170	6.69	+ 20°C		1505	3383	1904	4280	135	8.24	1,74	3.84	✓
HT 1000-080-A-T2	HT 1000-080-B-T2	80	3.15	255	10.04	175	6.89	+ 68°F		1514	3403	1919	4315	143	8.70	1,78	3.92	✓
HT 1000-100-A-T2	HT 1000-100-B-T2	100	3.94	295	11.61	195	7.68			1541	3465	1969	4426	173	10.56	1,96	4.32	✓
HT 1000-125-A-T2	HT 1000-125-B-T2	125	4.92	345	13.58	220	8.66	940	2113	1565	3519	2012	4524	211	12.88	2,17	4.78	✓
HT 1000-150-A-T2	HT 1000-150-B-T2	150	5.91	395	15.55	245	9.65	+ 120°C		1582	3557	2043	4593	249	15.20	2,38	5.25	✓
HT 1000-160-A-T2	HT 1000-160-B-T2	160	6.30	415	16.34	255	10.04	+ 248°F		1588	3570	2053	4616	264	16.13	2,46	5.42	✓
HT 1000-175-A-T2	HT 1000-175-B-T2	175	6.89	445	17.52	270	10.63			1595	3586	2067	4646	287	17.52	2,59	5.71	✓
HT 1000-200-A-T2	HT 1000-200-B-T2	200	7.87	495	19.49	295	11.61			1605	3608	2085	4687	325	19.84	2,79	6.15	✓
HT 1000-250-A-T2	HT 1000-250-B-T2	250	9.84	595	23.43	345	13.58			1619	3641	2111	4746	401	24.48	3,21	7.08	✓
HT 1000-300-A-T2	HT 1000-300-B-T2	300	11.81	695	27.36	395	15.55			1629	3663	2130	4788	477	29.13	3,63	8.00	✓

◆ Disposable

End force at 120°C / 248°F



HOW TO ORDER
INSTALLATION GUIDELINE