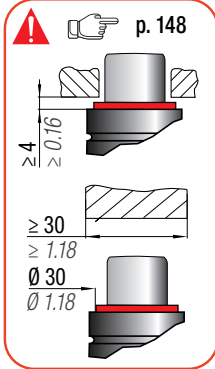
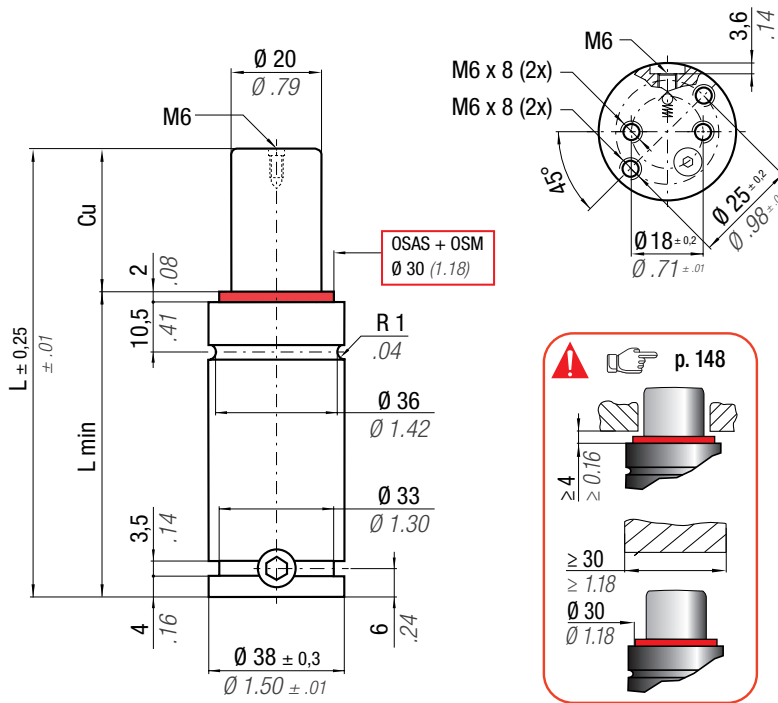




HT 500 T2
100 ÷ 120°C / 212 ÷ 248°F



OSAS + OSM = OVER STROKE ACTIVE SAFETY + OVER STROKE MARKER

Il nuovo codice sarà fornito solo ad esaurimento del vecchio
The new code will be supplied only when the old will be out of stock
Der neue Kode wird nur angegeben, wenn der alte nicht mehr lieferbar ist
Le nouveau code sera fourni uniquement lorsque le vieux stock sera écoulé
El nuevo código será suministrado sólo cuando se agoten las existencias del antiguo
O novo código irá ser fornecido apenas quando o antigo esgotar stock



* F_{1i} = Isothermal end force at 100% Cu

** F_{1p} = Polytrophic end force at 100% Cu



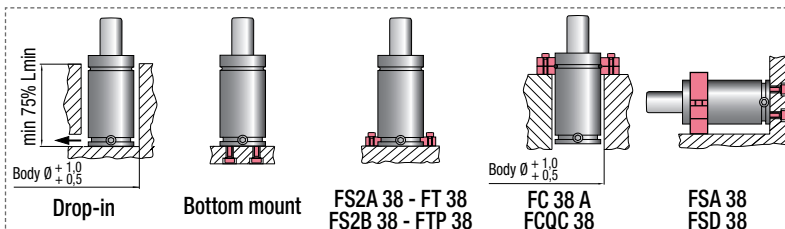
ACTIVE SAFETY



N ₂		100 - 120 °C 212 - 248 °F	ΔP ± 0,33 %/°C	P max 115 bar 1668 psi	P min 20 bar 290 psi	S 3,14 cm ² 0.487 in ²	SPM ~ 5 - 20	Max Speed 1 m/s 39.4 in/s	Maintenance kit 39BMMMGS00038B
CODE PHASING OUT from 04/2021	NEW	Cu	L	L min	F ₀ Initial force	F _{1i} * End force *	F _{1p} ** End force **	V ₀	PED 2014/68/EU
		mm inch	mm inch	mm inch	daN lb	daN lb	daN lb	cm ³ in ³	~Kg ~lb
HT 500 - 010 - A - T2	HT 500 - 010 - B - T2	10 0.39	70 2.76	60 2.36		631 1419	737 1656	14,5 0.88	0,31 0.68
HT 500 - 013 - A - T2	HT 500 - 013 - B - T2	13 0.51	75,7 2.98	62,7 2.47		655 1473	777 1746	16,9 1.03	0,32 0.71
HT 500 - 016 - A - T2	HT 500 - 016 - B - T2	16 0.63	82 3.23	66 2.60	360 809	669 1504	800 1798	19,7 1.20	0,34 0.75
HT 500 - 019 - A - T2	HT 500 - 019 - B - T2	19 0.75	88 3.46	69 2.72	+ 20°C	666 1498	795 1787	23,6 1.44	0,35 0.77
HT 500 - 025 - A - T2	HT 500 - 025 - B - T2	25 0.98	100 3.94	75 2.95	+ 68°F	703 1579	857 1926	27,3 1.67	0,38 0.84
HT 500 - 038 - A - T2	HT 500 - 038 - B - T2	38 1.50	126 4.96	88 3.46		729 1640	903 2031	38,4 2.34	0,44 0.97
HT 500 - 050 - A - T2	HT 500 - 050 - B - T2	50 1.97	150 5.91	100 3.94	480 1079	744 1673	929 2089	48,6 2.97	0,50 1.10
HT 500 - 063 - A - T2	HT 500 - 063 - B - T2	63 2.48	176,5 6.95	113,5 4.47	+ 120°C	752 1691	944 2121	60,0 3.66	0,56 1.23
HT 500 - 080 - A - T2	HT 500 - 080 - B - T2	80 3.15	210 8.27	130 5.12	+ 248°F	764 1718	964 2168	74,1 4.52	0,64 1.41
HT 500 - 100 - A - T2	HT 500 - 100 - B - T2	100 3.94	250 9.84	150 5.91		771 1734	977 2198	91,2 5.57	0,73 1.61
HT 500 - 125 - A - T2	HT 500 - 125 - B - T2	125 4.92	300 11.81	175 6.89		778 1749	990 2225	112,3 6.85	0,85 1.87

◆ Disposable

End force at 120°C / 248°F



HOW TO ORDER



INSTALLATION GUIDELINE

