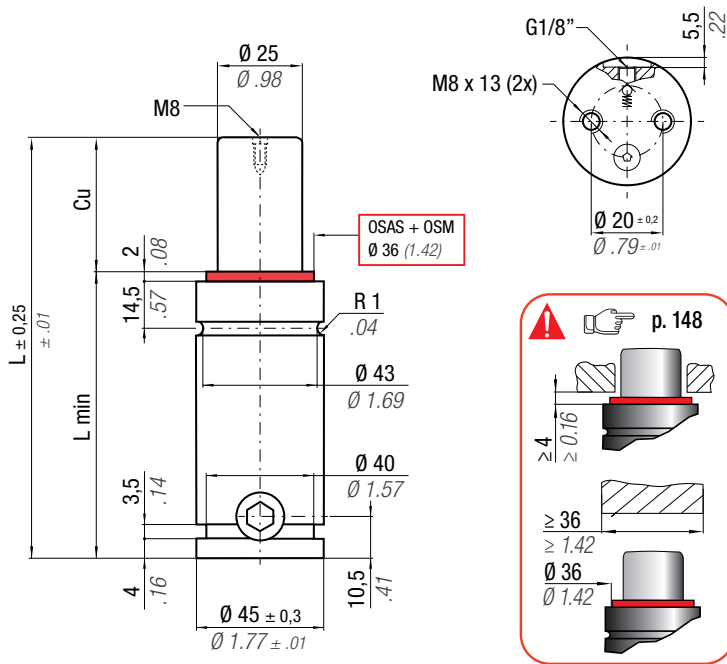




**HT 700 T2**  
100 ÷ 120°C / 212 ÷ 248°F



**OSAS + OSM** = OVER STROKE ACTIVE SAFETY + OVER STROKE MARKER

Il nuovo codice sarà fornito solo ad esaurimento del vecchio  
The new code will be supplied only when the old will be out of stock  
Der neue Kode wird nur angegeben, wenn der alte nicht mehr lieferbar ist  
Le nouveau code sera fourni uniquement lorsque le vieux stock sera écoulé  
El nuevo código será suministrado sólo cuando se agoten las existencias del antiguo  
O novo código irá ser fornecido apenas quando o antigo esgotar stock



\*  $F_{1i}$  = Isothermal end force at 100% Cu

\*\*  $F_{1p}$  = Polytrophic end force at 100% Cu

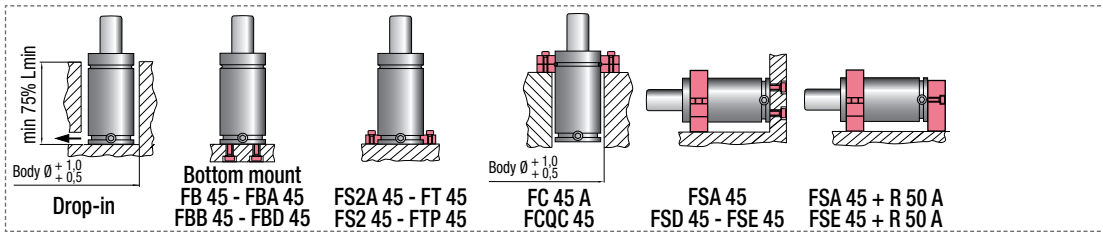


		100 - 120 °C 212 - 248 °F	$\Delta P$ ± 0,33 %/°C	<b>P max</b> 115 bar 1668 psi	<b>P min</b> 20 bar 290 psi	<b>S</b> 4,91 cm <sup>2</sup> 0.761 in <sup>2</sup>	<b>SPM</b> ~ 5 - 20	<b>Max Speed</b> 1 m/s 39.4 in/s	<b>Maintenance kit</b> 39BMMMGS00045B
--	--	------------------------------	---------------------------	-------------------------------------	-----------------------------------	---	------------------------	--	--

CODE PHASING OUT from 04/2021	NEW	Cu		L		L min		F0 Initial force		F1i * End force *		F1p ** End force **		Vo		~Kg	~lb	
		mm	inch	mm	inch	mm	inch	daN	lb	daN	lb	daN	lb	cm <sup>3</sup>	in <sup>3</sup>			
HT 700 - 010 - A - T2	HT 700 - 010 - B - T2	10	0.39	105	4.13	95	3.74			970	2181	1125	2528	24,0	1.46	0,90	1.98	✓
HT 700 - 013 - A - T2	HT 700 - 013 - B - T2	13	0.50	110,7	4.35	97,7	3.85			1011	2273	1192	2680	27,4	1.67	0,91	2.01	✓
HT 700 - 025 - A - T2	HT 700 - 025 - B - T2	25	0.98	135	5.31	110	4.33	565	1270	1103	2479	1347	3029	42,2	2.58	1,00	2.20	✓
HT 700 - 038 - A - T2	HT 700 - 038 - B - T2	38	1.50	161	6.34	123	4.84		+ 20°C + 68°F	1159	2605	1445	3249	58,1	3.55	1,09	2.40	✓
HT 700 - 050 - A - T2	HT 700 - 050 - B - T2	50	1.97	185	7.28	135	5.31			1191	2678	1503	3378	72,7	4.44	1,17	2.58	✓
HT 700 - 063 - A - T2	HT 700 - 063 - B - T2	63	2.48	211,5	8.33	148,5	5.85			1211	2723	1539	3459	89,0	5.43	1,26	2.78	✓
HT 700 - 080 - A - T2	HT 700 - 080 - B - T2	80	3.15	245	9.65	165	6.50	750	1686	1237	2781	1585	3563	109,2	6.66	1,37	3.02	✓
HT 700 - 100 - A - T2	HT 700 - 100 - B - T2	100	3.94	285	11.22	185	7.28		+ 120°C + 248°F	1255	2820	1616	3634	133,5	8.15	1,51	3.33	✓
HT 700 - 125 - A - T2	HT 700 - 125 - B - T2	125	4.92	335	13.19	210	8.27			1270	2854	1644	3695	163,9	10.00	1,67	3.68	✓
HT 700 - 160 - A - T2	HT 700 - 160 - B - T2	160	6.30	405	15.94	245	9.65			1283	2885	1669	3752	206,5	12.60	1,91	4.21	✓
HT 700 - 200 - A - T2	HT 700 - 200 - B - T2	200	7.87	485	19.09	285	11.22			1294	2908	1688	3794	255,2	15.57	2,20	4.85	✓

◆ Disposable

End force at 120°C / 248°F



**HOW TO ORDER**  
  
**INSTALLATION GUIDELINE**