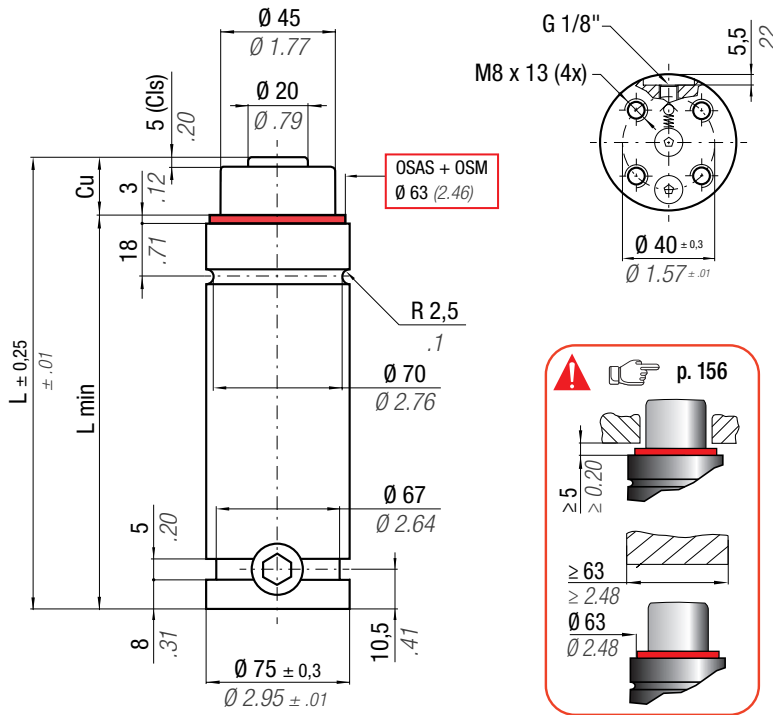




- 50% VIBRATIONS
- 55% NOISE

LS 2400



Il nuovo codice sarà fornito solo ad esaurimento del vecchio

The new code will be supplied only when the old will be out of stock

Der neue Kode wird nur angegeben, wenn der alte nicht mehr lieferbar ist

Le nouveau code sera fourni uniquement lorsque le vieux stock sera écoulé

El nuevo código será suministrado sólo cuando se agoten las existencias del antiguo

O novo código irá ser fornecido apenas quando o antigo esgotar stock

ACTIVE SAFETY



OSAS



USAS



OPAS

* $F_{1i} =$

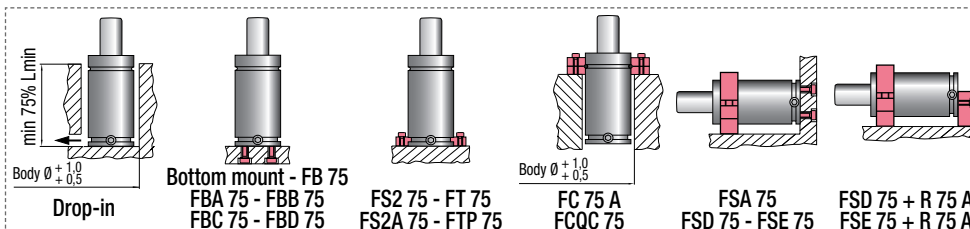
Isothermal end force at 100% Cu

** $F_{1p} =$

Polytrophic end force at 100% Cu

N ₂		0 - 80 °C 32 - 176 °F	ΔP ± 0,33 %/°C	P max 150 bar 2175 psi	P min 20 bar 290 psi	S 15,90 cm ² 2.465 in ²	SPM ~ 15 - 60 (at 20°C)	Max Speed 1,8 m/s 70.8 in/s	Maintenance kit 39BMLS01500B		
CODE	NEW	Cu	L	L min	F ₀	F Cls	F _{1i} *	F _{1p} **	V ₀		PED
PHASING OUT from 04/2021		mm inch	mm inch	mm inch	Initial force daN lb	daN lb	End force * daN lb	End force ** daN lb	cm ³ in ³	~Kg ~lb	2014/68/EU
LS 2400 - 025 - A	LS 2400 - 025 - B	25 0.98	160 6.30	135 5.31			3607 8109	4323 9718	108 6.61	3,55 7.83	✓
LS 2400 - 038 - A	LS 2400 - 038 - B	38 1.50	186 7.32	148 5.83			3836 8624	4692 10548	160 9.73	3,77 8.31	✓
LS 2400 - 050 - A	LS 2400 - 050 - B	50 1.97	210 8.27	160 6.30	0 0	2385 5362	3958 8898	4890 10993	207 12.61	3,96 8.73	✓
LS 2400 - 063 - A	LS 2400 - 063 - B	63,5 2.50	237 9.33	173,5 6.83	± 5%	± 5%	4045 9094	5034 11317	260 15.84	4,18 9.22	✓
LS 2400 - 080 - A	LS 2400 - 080 - B	80 3.15	270 10.63	190 7.48			4116 9253	5152 11582	324 19.80	4,45 9.81	✓
LS 2400 - 100 - A	LS 2400 - 100 - B	100 3.94	310 12.20	210 8.27	150 bar 2175 psi	150 bar 2175 psi	4173 9381	5247 11796	403 24.59	4,80 10.58	✓
LS 2400 - 125 - A	LS 2400 - 125 - B	125 4.92	360 14.17	235 9.25			4221 9489	5326 11973	501 30.58	5,20 11.46	✓
LS 2400 - 160 - A	LS 2400 - 160 - B	160 6.30	430 16.93	270 10.63	+ 20 °C +68 °F	+ 20 °C +68 °F	4263 9584	5396 12131	639 38.98	5,77 12.72	✓
LS 2400 - 200 - A	LS 2400 - 200 - B	200 7.87	510 20.08	310 12.20			4294 9653	5449 12250	796 48.56	6,42 14.15	✓
LS 2400 - 250 - A	LS 2400 - 250 - B	250 9.84	610 24.02	360 14.17			4319 9709	5492 12347	992 60.54	7,24 15.96	✓
LS 2400 - 300 - A	LS 2400 - 300 - B	300 11.81	710 27.95	410 16.14			4336 9748	5521 12412	1188 72.52	8,05 17.75	✓

◆ Disposable



HOW TO ORDER



INSTALLATION GUIDELINE

