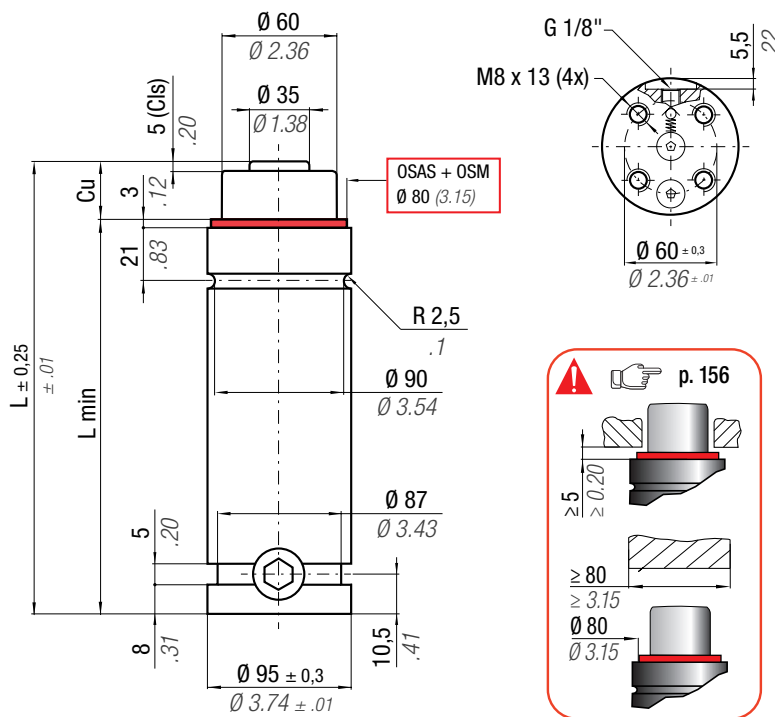




- 50% VIBRATIONS
- 55% NOISE

LS 4200



Il nuovo codice sarà fornito solo ad esaurimento del vecchio

The new code will be supplied only when the old will be out of stock

Der neue Kode wird nur angegeben, wenn der alte nicht mehr lieferbar ist

Le nouveau code sera fourni uniquement lorsque le vieux stock sera écoulé

El nuevo código será suministrado sólo cuando se agoten las existencias del antiguo

O novo código irá ser fornecido apenas quando o antigo esgotar stock

ACTIVE SAFETY



OSAS



USAS



OPAS

* $F_{1i} =$

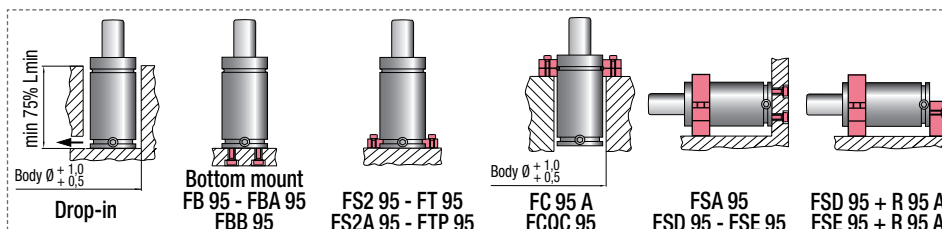
Isothermal end force at 100% Cu

** $F_{1p} =$

Polytrophic end force at 100% Cu

		0 - 80 °C 32 - 176 °F	ΔP ± 0,33 %/°C	P max 150 bar 2175 psi	P min 20 bar 290 psi	S 28,27 cm ² 4.382 in ²	SPM ~ 15 - 60 (at 20°C)	Max Speed 1,8 m/s 70.8 in/s	Maintenance kit 39BMLS03000B		
CODE	NEW	Cu	L	L min	F0	F Cls	F _{1i} *	F _{1p} **	V0		
PHASING OUT from 04/2021	NEW	mm inch	mm inch	mm inch	Initial force daN lb	daN lb	End force * daN lb	End force ** daN lb	cm ³ in ³	~Kg ~lb	PED 2014/68/EU
LS 4200 - 025 - A	LS 4200 - 025 - B	25 0.98	170 6.69	145 5.71			6306 14176	7517 16898	200 12.17	6,02 13.27	✓
LS 4200 - 038 - A	LS 4200 - 038 - B	38 1.50	196 7.72	158 6.22			6827 15348	8352 18777	283 17.27	6,37 14.04	✓
LS 4200 - 050 - A	LS 4200 - 050 - B	50 1.97	220 8.66	170 6.69	0 0	4240 9532	7126 16019	8840 19874	360 21.97	6,70 14.77	✓
LS 4200 - 063 - A	LS 4200 - 063 - B	63,5 2.50	247 9.72	183,5 7.22	± 5%	± 5%	7353 16530	9217 20721	447 27.26	7,07 15.59	✓
LS 4200 - 080 - A	LS 4200 - 080 - B	80 3.15	280 11.02	200 7.87			7544 16960	9536 21439	553 33.73	7,52 16.58	✓
LS 4200 - 100 - A	LS 4200 - 100 - B	100 3.94	320 12.60	220 8.66	150 bar 2175 psi	150 bar 2175 psi	7703 17316	9803 22039	681 41.57	8,07 17.79	✓
LS 4200 - 125 - A	LS 4200 - 125 - B	125 4.92	370 14.57	245 9.65			7833 17608	10024 22534	842 51.40	8,77 19.33	✓
LS 4200 - 160 - A	LS 4200 - 160 - B	160 6.30	440 17.32	280 11.02	+ 20 °C +68 °F	+ 20 °C +68 °F	7957 17889	10236 23013	1067 65.12	9,73 21.45	✓
LS 4200 - 200 - A	LS 4200 - 200 - B	200 7.87	520 20.47	320 12.60			8051 18099	10396 23371	1324 80.80	10,83 23.88	✓
LS 4200 - 250 - A	LS 4200 - 250 - B	250 9.84	620 24.41	370 14.57			8128 18272	10528 23668	1645 100.39	12,20 26.90	✓
LS 4200 - 300 - A	LS 4200 - 300 - B	300 11.81	720 28.35	420 16.54			8180 18390	10619 23872	1966 119.98	13,57 29.92	✓

◆ Disposable



HOW TO ORDER



INSTALLATION GUIDELINE

