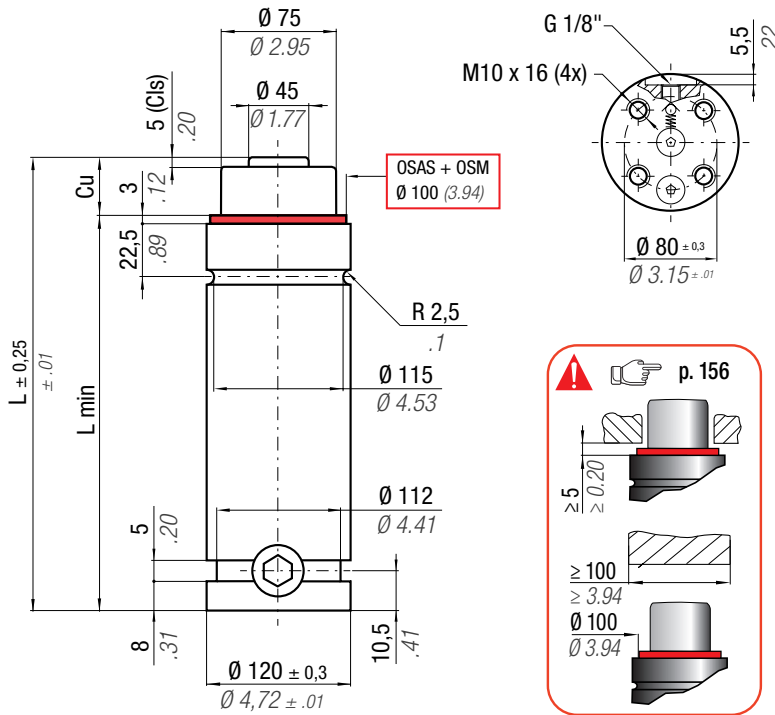




- 50% VIBRATIONS
- 55% NOISE

LS 6600



Il nuovo codice sarà fornito solo ad esaurimento del vecchio

The new code will be supplied only when the old will be out of stock

Der neue Kode wird nur angegeben, wenn der alte nicht mehr lieferbar ist

Le nouveau code sera fourni uniquement lorsque le vieux stock sera écoulé

El nuevo código será suministrado sólo cuando se agoten las existencias del antiguo

O novo código irá ser fornecido apenas quando o antigo esgotar stock

ACTIVE SAFETY



OSAS



USAS



OPAS

* $F_{1i} =$

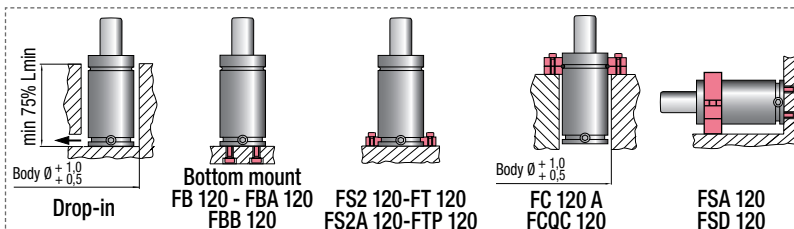
Isothermal end force at 100% Cu

** $F_{1p} =$

Polytrophic end force at 100% Cu

		ΔP	P max	P min	S	SPM	Max Speed	Maintenance kit		
N ₂	0 - 80 °C 32 - 176 °F	± 0,33 %/°C	150 bar 2175 psi	20 bar 290 psi	44,18 cm ² 6.848 in ²	~ 15 - 60 (at 20°C)	1,8 m/s 70.8 in/s	39BMLS05000B		
CODE	Cu	L	L min	F ₀	F Cls	F _{1i} *	F _{1p} **	V ₀		
PHASING OUT from 04/2021	NEW	mm inch	mm inch	Initial force daN lb	daN lb	End force * daN lb	End force ** daN lb	cm ³ in ³	~Kg ~lb	2014/68/EU
LS 6600 - 025 - A	LS 6600 - 025 - B	25 0.98	190 7.48	165 6.50		9292 20890; 10865 24426	357 21.80	10,60 23.37	✓	
LS 6600 - 038 - A	LS 6600 - 038 - B	38 1.50	216 8.50	178 7.01		10164 22849; 12238 27513	483 29.47	12,00 26.46	✓	
LS 6600 - 050 - A	LS 6600 - 050 - B	50 1.97	240 9.45	190 7.48	0 0	6630 14905; 10710 24078; 13121 29496	599 36.54	13,20 29.10	✓	
LS 6600 - 063 - A	LS 6600 - 063 - B	63,5 2.50	267 10.51	203,5 8.01	± 5%	11154 25076; 13847 31130	729 44.50	13,60 29.98	✓	
LS 6600 - 080 - A	LS 6600 - 080 - B	80 3.15	300 11.81	220 8.66		11546 25956; 14497 32590	889 54.23	14,10 31.09	✓	
LS 6600 - 100 - A	LS 6600 - 100 - B	100 3.94	340 13.39	240 9.45	150 bar 2175 psi	11885 26719; 15065 33867	1082 66.02	15,40 33.95	✓	
LS 6600 - 125 - A	LS 6600 - 125 - B	125 4.92	390 15.35	265 10.43		12185 27392; 15571 35004	1323 80.76	16,90 37.26	✓	
LS 6600 - 160 - A	LS 6600 - 160 - B	160 6.30	460 18.11	300 11.81	+ 20 °C +68 °F	12470 28033; 16056 36096	1662 101.40	18,70 41.23	✓	
LS 6600 - 200 - A	LS 6600 - 200 - B	200 7.87	540 21.26	340 13.39		12688 28524; 16431 36938	2048 124.98	21,70 47.84	✓	
LS 6600 - 250 - A	LS 6600 - 250 - B	250 9.84	640 25.20	390 15.35		12873 28939; 16749 37653	2531 154.46	24,80 54.67	✓	
LS 6600 - 300 - A	LS 6600 - 300 - B	300 11.81	740 29.13	440 17.32		13001 29228; 16971 38153	3014 183.93	28,00 61.73	✓	

◆ Disposable



HOW TO ORDER



INSTALLATION GUIDELINE

