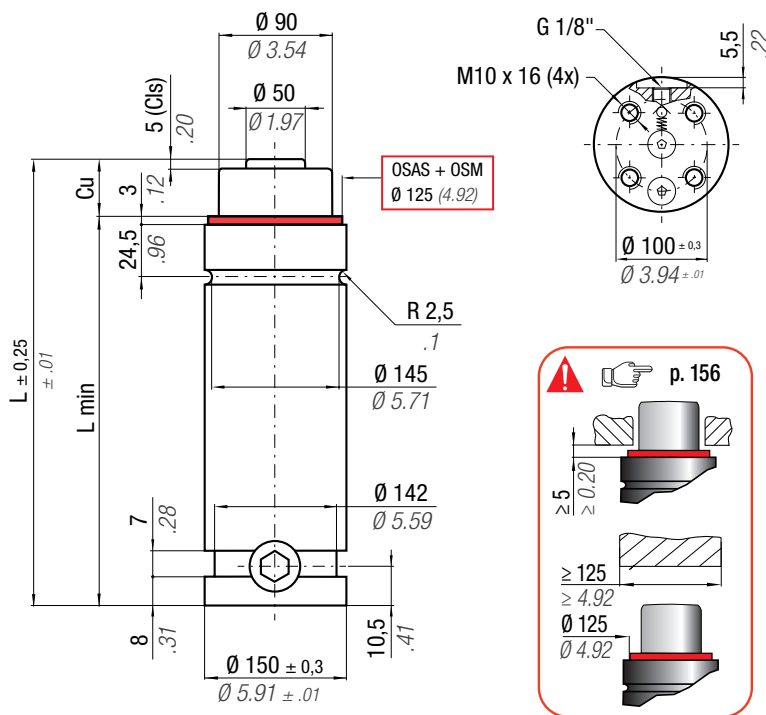




- 50% VIBRATIONS
- 55% NOISE

LS 9500



Il nuovo codice sarà fornito solo ad esaurimento del vecchio

The new code will be supplied only when the old will be out of stock

Der neue Kode wird nur angegeben, wenn der alte nicht mehr lieferbar ist

Le nouveau code sera fourni uniquement lorsque le vieux stock sera écoulé

El nuevo código será suministrado sólo cuando se agoten las existencias del antiguo

O novo código irá ser fornecido apenas quando o antigo esgotar stock

ACTIVE SAFETY



OSAS



USAS



OPAS

* $F_{1i} =$

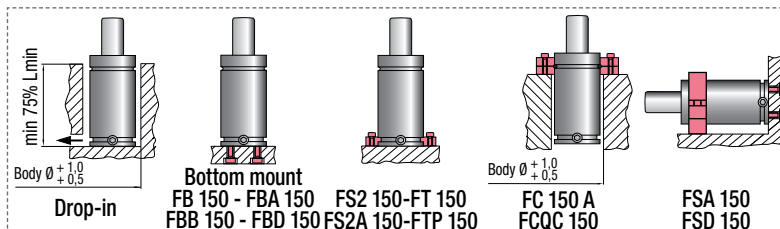
Isothermal end force at 100% Cu

** $F_{1p} =$

Polytrophic end force at 100% Cu

		0 - 80 °C 32 - 176 °F	ΔP ± 0,33 %/°C	P max 150 bar 2175 psi	P min 20 bar 290 psi	S 63,61 cm ² 9.860 in ²	SPM ~ 15 - 60 (at 20°C)	Max Speed 1,8 m/s 70.8 in/s	Maintenance kit 39BMLS07500A		
CODE	NEW	Cu	L	L min	F0	F Cls	F _{1i} *	F _{1p} **	V0		
PHASING OUT from 04/2021	NEW	mm inch	mm inch	mm inch	Initial force daN lb	daN lb	End force * daN lb	End force ** daN lb	cm ³ in ³	~Kg ~lb	2014/68/EU
LS 9500 - 025 - B	LS 9500-025 - C	25 0.98	205 8.07	180 7.09			12436 27958; 14197 31916	638 38.91; 19,95 43.98		✓	
LS 9500 - 038 - B	LS 9500-038 - C	38 1.50	231 9.09	193 7.60			13451 30239; 15755 35419	838 51.13; 21,15 46.63		✓	
LS 9500 - 050 - B	LS 9500-050 - C	50 1.97	255 10.04	205 8.07	0 0	9540 21446	14107 31713; 16783 37729	1023 62.40; 21,95 48.39		✓	
LS 9500 - 063 - B	LS 9500-063 - C	63,5 2.50	282 11.10	218,5 8.60	± 5%	± 5%	14650 32935; 17647 39671	1230 75.08; 22,75 50.16		✓	
LS 9500 - 080 - B	LS 9500-080 - C	80 3.15	315 12.40	235 9.25			15138 34032; 18432 41436	1484 90.58; 24,55 54.12		✓	
LS 9500 - 100 - B	LS 9500-100 - C	100 3.94	355 13.98	255 10.04	150 bar 2175 psi	150 bar 2175 psi	15568 34998; 19129 43005	1792 109.37; 26,25 57.87		✓	
LS 9500 - 125 - B	LS 9500-125 - C	125 4.92	405 15.94	280 11.02			15952 35862; 19759 44420	2177 132.85; 28,15 62.06		✓	
LS 9500 - 160 - B	LS 9500-160 - C	160 6.30	475 18.70	315 12.40	+ 20 °C +68 °F	+ 20 °C +68 °F	16323 36695; 20371 45796	2716 165.73; 31,55 69.56		✓	
LS 9500 - 200 - B	LS 9500-200 - C	200 7.87	555 21.85	355 13.98			16610 37341; 20848 46869	3332 203.31; 35,15 77.49		✓	
LS 9500 - 250 - B	LS 9500-250 - C	250 9.84	655 25.79	405 15.94			16855 37892; 21258 47789	4101 250.28; 38,65 85.21		✓	
LS 9500 - 300 - B	LS 9500-300 - C	300 11.81	755 29.72	455 17.91			17027 38278; 21545 48436	4871 297.26; 42,55 93.81		✓	

◆ Disposable



HOW TO ORDER



INSTALLATION GUIDELINE

