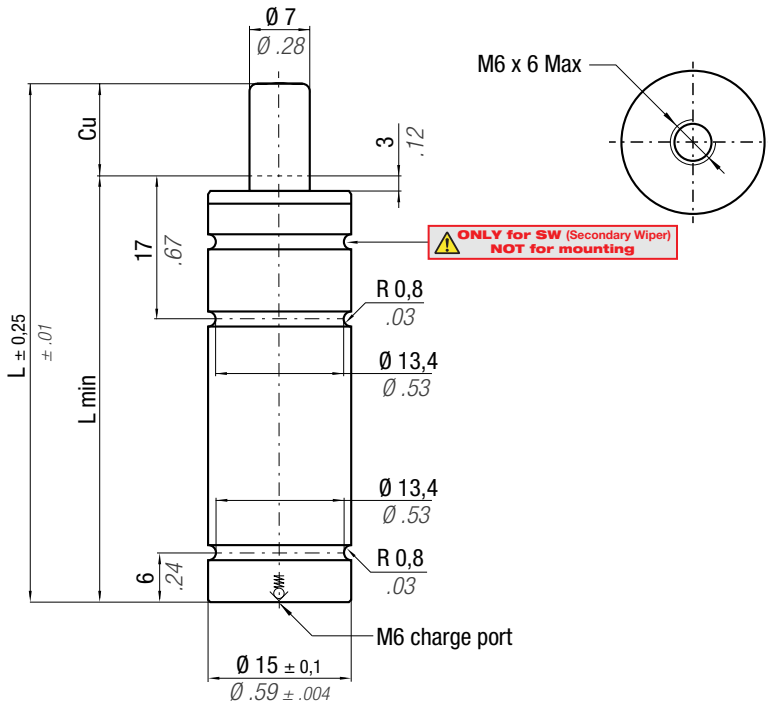




M 70



* $F_{1i} =$

Isothermal end force at 100% Cu



p. 16

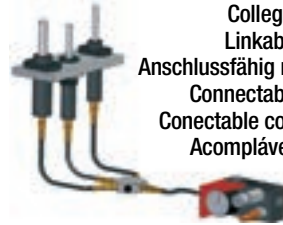


** $F_{1p} =$

Polytrophic end force at 100% Cu



ACTIVE SAFETY



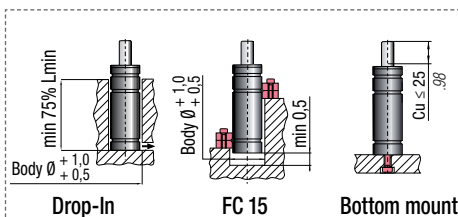
Collegabile con tubi
Linkable with hoses
Anschlussfähig mit Leitungen
Connectable avec tubes
Conectable con mangueras
Acompláveis com tubos

Micro 32°

Force color code	P		F ₀ Initial force ± 5% at +20°C +68°F	
	bar	psi	daN	lb
GR	45	653	18	40
BU	90	1305	35	79
RD	135	1958	50	112
YW	180	2610	70	157
BK	20-180	290-2610	8-70	18-157

	0 - 80 °C 32 - 176 °F	ΔP ± 0,33 %/°C	P max 180 bar 2610 psi	P min 20 bar 290 psi	S 0,38 cm ² 0,059 in ²	SPM ~ 100 - 150 (at 20°C)	Max Speed 1,8 m/s 70.8 in/s	Maintenance kit Disposable
--	--------------------------	---------------------------	------------------------------	----------------------------	--	---------------------------------	-----------------------------------	-------------------------------

CODE	Cu		L		L min		F _{1i} * End force *		F _{1p} ** End force **		V ₀		PED 2014/68/EU		
	mm	inch	mm	inch	mm	inch	daN	lb	daN	lb	cm ³	in ³	~Kg	~lb	
M70 - 007 - A - ...	7	0.28	56	2.20	49	1.93	1,19 x F ₀		1,33 x F ₀		1,9	0.12	0,04	0.09	✓
M70 - 010 - A - ...	10	0.39	62	2.44	52	2.05	1,24 x F ₀		1,41 x F ₀		2,2	0.13	0,05	0.11	✓
M70 - 013 - A - ...	12,7	0.50	67,4	2.65	54,7	2.15	1,27 x F ₀		1,46 x F ₀		2,6	0.16	0,05	0.11	✓
M70 - 015 - A - ...	15	0.59	72	2.83	57	2.24	1,30 x F ₀		1,51 x F ₀		2,8	0.17	0,05	0.11	✓
M70 - 019 - A - ...	19	0.75	80	3.15	61	2.40	1,34 x F ₀		1,57 x F ₀		3,2	0.20	0,05	0.11	✓
M70 - 025 - A - ...	25	0.98	92	3.62	67	2.64	1,38 x F ₀		1,64 x F ₀		3,9	0.24	0,06	0.13	✓
M70 - 038 - A - ...	38	1.50	118	4.65	80	3.15	1,44 x F ₀		1,73 x F ₀		5,3	0.32	0,07	0.15	✓
M70 - 050 - A - ...	50	1.97	142	5.59	92	3.62	1,48 x F ₀		1,79 x F ₀		6,6	0.40	0,08	0.18	✓
M70 - 063 - A - ...	63,5	2.50	172	6.77	108,5	4.27	1,47 x F ₀		1,79 x F ₀		8,5	0.52	0,09	0.20	✓
M70 - 075 - A - ...	75	2.95	195	7.68	120	4.72	1,49 x F ₀		1,82 x F ₀		9,7	0.59	0,10	0.22	✓
M70 - 080 - A - ...	80	3.15	205	8.07	125	4.92	1,50 x F ₀		1,83 x F ₀		10,3	0.63	0,10	0.22	✓
M70 - 100 - A - ...	100	3.94	245	9.65	145	5.71	1,52 x F ₀		1,87 x F ₀		12,5	0.76	0,12	0.26	✓
M70 - 125 - A - ...	125	4.92	295	11.61	170	6.69	1,54 x F ₀		1,90 x F ₀		15,2	0.93	0,14	0.31	✓



HOW TO ORDER



INSTALLATION GUIDELINE

