

M 90

ISO 11901 - 1
075.90.50 (FCA)

VDI 3003 - Blatt 2
39D 878 (VW)

B2 4007 (BMW)

B8 3180 220 000 002(MB)



Il nuovo codice sarà fornito solo ad esaurimento del vecchio - The new code will be supplied only when the old will be out of stock - Der neue Kode wird nur angegeben, wenn der alte nicht mehr lieferbar ist - Le nouveau code sera fourni uniquement lorsque le vieux stock sera écoulé - El nuevo código será suministrado sólo cuando se agoten las existencias del antiguo - O novo código irá ser fornecido apenas quando o antigo esgotar stock

ACTIVE SAFETY



*** F_{1i} =**
Isothermal end force at 100% Cu

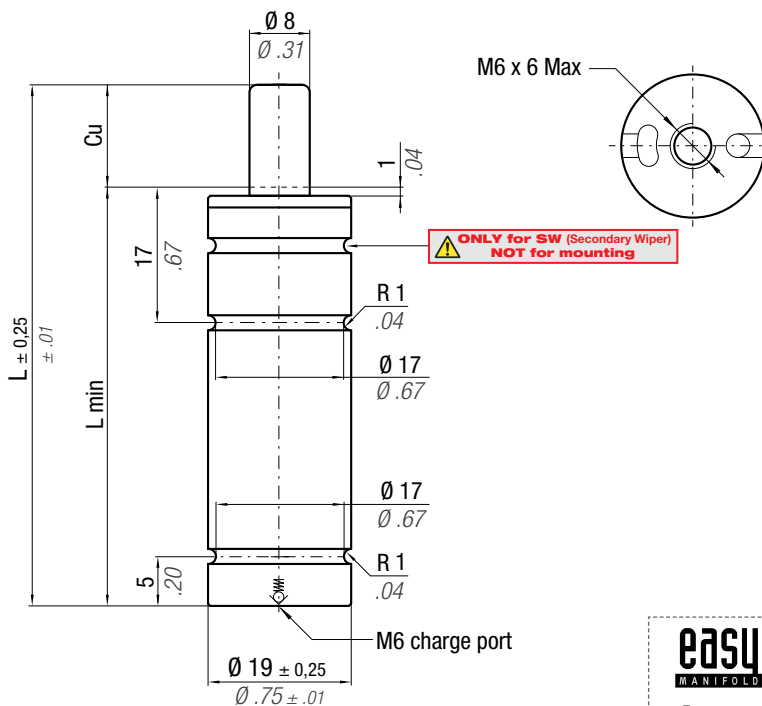
p. 16

**** F_{1p} =**
Polytrophic end force at 100% Cu



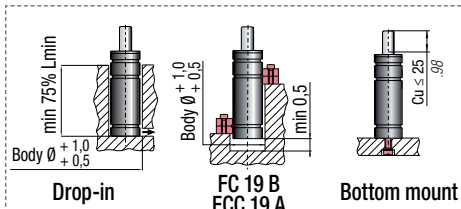
Collegabile con tubi - Linkable with hoses
Anschlussfähig mit Leitungen
Connectable avec tubes - Connectable with mangueras
Acompláveis com tubos
Micro 32°

| Force color code | P | | F ₀ | |
|------------------|--------|----------|----------------|--------|
| | bar | psi | daN | lb |
| OR | 10 | 145 | 5 | 11 |
| PR | 20 | 290 | 10 | 22 |
| GR | 60 | 870 | 30 | 67 |
| BU | 100 | 1450 | 50 | 112 |
| RD | 140 | 2030 | 70 | 157 |
| YW | 180 | 2610 | 90 | 202 |
| BK | 10-180 | 145-2610 | 5-90 | 11-202 |



| | | | | | | | | |
|----------------|--------------------------|-------------------|------------------------------|----------------------------|--|---------------------------------|-----------------------------------|-------------------------------|
| N ₂ | 0 - 80 °C 32 - 176 °F | ΔP ± 0,33 %/°C | P max 180 bar 2610 psi | P min 10 bar 145 psi | S 0,50 cm ² 0,078 in ² | SPM ~ 100 - 150 (at 20°C) | Max Speed 1,8 m/s 70,8 in/s | Maintenance kit Disposable |
|----------------|--------------------------|-------------------|------------------------------|----------------------------|--|---------------------------------|-----------------------------------|-------------------------------|

| CODE PHASING OUT from 05/2019 | NEW | Cu | | L | | L min | | F _{1i} * | | F _{1p} ** | | V ₀ | | PED 2014/68/EU | |
|-------------------------------------|---------------------|------|------|-------|-------|-------|------|-----------------------|-----------------------|--------------------|------|-----------------|-----------------|-------------------|-----|
| | | mm | inch | mm | inch | mm | inch | daN | lb | daN | lb | cm ³ | in ³ | ~Kg | ~lb |
| M90 - 007 - A - ... | M90 - 007 - B - ... | 7 | 0.28 | 56 | 2.20 | 49 | 1.93 | 1,21 x F ₀ | 1,39 x F ₀ | 2,3 | 0.14 | 0,07 | 0.15 | ✓ | |
| M90 - 010 - A - ... | M90 - 010 - B - ... | 10 | 0.39 | 62 | 2.44 | 52 | 2.05 | 1,25 x F ₀ | 1,44 x F ₀ | 2,9 | 0.18 | 0,07 | 0.15 | ✓ | |
| M90 - 013 - A - ... | M90 - 013 - B - ... | 12,7 | 0.50 | 67,4 | 2.65 | 54,7 | 2.15 | 1,27 x F ₀ | 1,48 x F ₀ | 3,4 | 0.21 | 0,08 | 0.18 | ✓ | |
| M90 - 015 - A - ... | M90 - 015 - B - ... | 15 | 0.59 | 72 | 2.83 | 57 | 2.24 | 1,28 x F ₀ | 1,50 x F ₀ | 3,9 | 0.24 | 0,08 | 0.18 | ✓ | |
| M90 - 025 - A - ... | M90 - 025 - B - ... | 25 | 0.98 | 92 | 3.62 | 67 | 2.64 | 1,32 x F ₀ | 1,57 x F ₀ | 5,8 | 0.35 | 0,09 | 0.20 | ✓ | |
| M90 - 038 - A - ... | M90 - 038 - B - ... | 38,1 | 1.50 | 118,2 | 4.65 | 80,1 | 3.15 | 1,35 x F ₀ | 1,60 x F ₀ | 8,4 | 0.51 | 0,11 | 0.24 | ✓ | |
| M90 - 050 - A - ... | M90 - 050 - B - ... | 50 | 1.97 | 142 | 5.59 | 92 | 3.62 | 1,36 x F ₀ | 1,62 x F ₀ | 10,8 | 0.66 | 0,12 | 0.26 | ✓ | |
| M90 - 063 - A - ... | M90 - 063 - B - ... | 63,5 | 2.50 | 172 | 6.77 | 108,5 | 4.27 | 1,36 x F ₀ | 1,62 x F ₀ | 13,7 | 0.84 | 0,14 | 0.31 | ✓ | |
| M90 - 080 - A - ... | M90 - 080 - B - ... | 80 | 3.15 | 205 | 8.07 | 125 | 4.92 | 1,37 x F ₀ | 1,64 x F ₀ | 17 | 1.04 | 0,15 | 0.33 | ✓ | |
| M90 - 100 - A - ... | M90 - 100 - B - ... | 100 | 3.94 | 245 | 9.65 | 145 | 5.71 | 1,37 x F ₀ | 1,65 x F ₀ | 20,9 | 1.28 | 0,17 | 0.37 | ✓ | |
| M90 - 125 - A - ... | M90 - 125 - B - ... | 125 | 4.92 | 295 | 11.61 | 170 | 6.69 | 1,38 x F ₀ | 1,66 x F ₀ | 25,8 | 1.57 | 0,20 | 0.44 | ✓ | |



HOW TO ORDER



INSTALLATION GUIDELINE

