

## ML 12000



sw

Il nuovo codice sarà fornito solo ad esaurimento del vecchio

The new code will be supplied only when the old will be out of stock

### ACTIVE SAFETY



OSAS

Der neue Kode wird nur angegeben, wenn der alte nicht mehr lieferbar ist

Le nouveau code sera fourni uniquement lorsque le vieux stock sera écoulé

El nuevo código será suministrado sólo cuando se agoten las existencias del antiguo

O novo código irá ser fornecido apenas quando o antigo esgotar stock



USAS



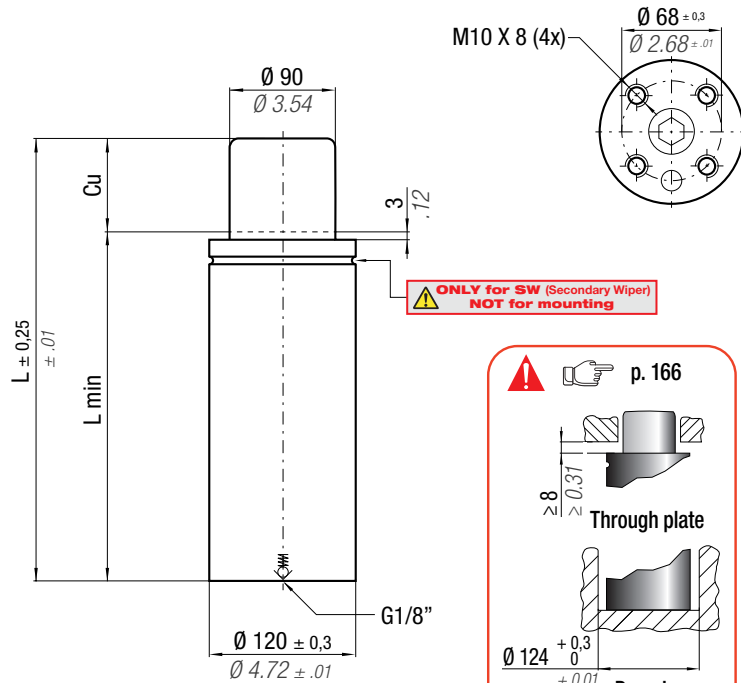
OPAS

\*  $F_{1i} =$

Isothermal end force at 100% Cu

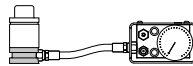
\*\*  $F_{1p} =$

Polytrophic end force at 100% Cu



N <sub>2</sub>	0 - 80 °C 32 - 176 °F	$\Delta P$ ± 0,33 %/°C	P max 200 bar 2900 psi	P min 20 bar 290 psi	S 63,62 cm <sup>2</sup> 9.861 in <sup>2</sup>	SPM ~ 20 - 50 (at 20°C)	Max Speed 1,6 m/s 62,9 in/s	Maintenance kit 39BMML12000C		
<b>CODE</b>	<b>PHASING OUT</b> from 05/2019	<b>NEW</b>	<b>Cu</b>	<b>L</b>	<b>L min</b>	<b>F<sub>0</sub></b> Initial force	<b>F<sub>1i</sub> *</b> End force *	<b>F<sub>1p</sub> **</b> End force **	<b>V<sub>0</sub></b>	
			mm inch	mm inch	mm inch	daN lb	daN lb	daN lb	cm <sup>3</sup> in <sup>3</sup>	~Kg ~lb
ML 12000 - 015 - C	ML 12000 - 015 - D		15 0.59	115 4.53	100 3.94	12720 28595	17910 40264	20179 45364	415 25.35	5,82 12.83
ML 12000 - 025 - C	ML 12000 - 025 - D		25 0.98	135 5.31	110 4.33	± 5%	20260 45546	23413 52635	532 32.47	6,29 13.87
ML 12000 - 038 - C	ML 12000 - 038 - D		38 1.50	165 6.50	127 5.00	200 bar	21844 49107	25639 57638	715 43.64	7,01 15.45
ML 12000 - 050 - C	ML 12000 - 050 - D		50 1.97	195 7.68	145 5.71	2900 psi	22489 50558	26555 59699	902 55.05	7,74 17.06
ML 12000 - 063 - C	ML 12000 - 063 - D		63 2.48	225 8.86	162 6.38		23275 52324	27678 62222	1085 66.22	8,46 18.65
ML 12000 - 080 - C	ML 12000 - 080 - D		80 3.15	265 10.43	185 7.28	+20 °C +68 °F	23928 53791	28617 64333	1331 81.19	9,43 20.79

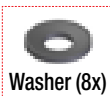
### KIT FOR LINKING



code: 39FML12000B



Seal (1x)



Washer (8x)



Screw (4x)



Bottom base (1x)

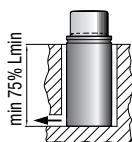
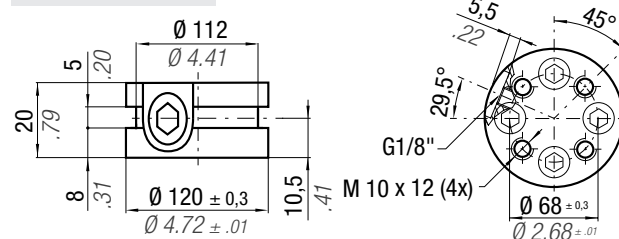


Valve (1x)  
Instructions



Sostituire ogni 1.000.000 di cicli. Replace every 1 million cycles. Nach 1 Mio. Hübe austauschen. Reemplazar a cada 1 millón de ciclos. Substituir a cada 1 milhão de ciclos.

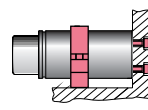
#### Bottom base dimension



Drop-In



Bottom mount



FSA 120 - FSD 120



### HOW TO ORDER



### INSTALLATION GUIDELINE

