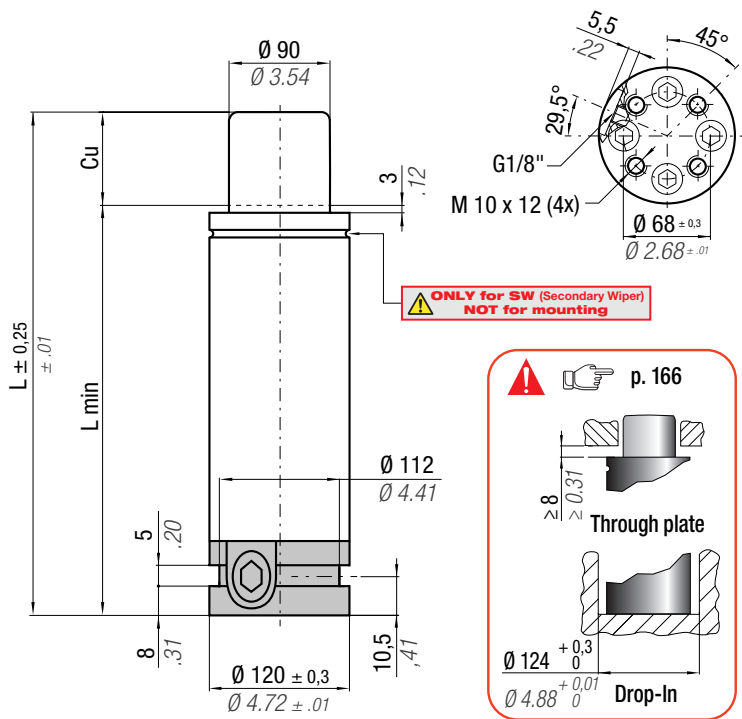




ML 12000 N linkable G1/8"



Il nuovo codice sarà fornito solo ad esaurimento del vecchio

The new code will be supplied only when the old will be out of stock

Der neue Kode wird nur angegeben, wenn der alte nicht mehr lieferbar ist

Le nouveau code sera fourni uniquement lorsque le vieux stock sera écoulé

El nuevo código será suministrado sólo cuando se agoten las existencias del antiguo

O novo código irá ser fornecido apenas quando o antigo esgotar stock



SW

ACTIVE SAFETY



OSAS



USAS



OPAS

* $F_{1i} =$

Isothermal end force at 100% Cu

** $F_{1p} =$

Polytrophic end force at 100% Cu

N ₂		0 - 80 °C 32 - 176 °F	ΔP ± 0,33 %/°C	P max 200 bar 2900 psi	P min 20 bar 290 psi	S 63,62 cm ² 9.861 in ²	SPM ~ 20 - 50 (at 20°C)	Max Speed 1,6 m/s 62.9 in/s	Maintenance kit 39BMML12000C
CODE PHASING OUT from 05/2019	NEW	Cu	L	L min	F ₀	F _{1i} *	F _{1p} **	V ₀	
		mm inch	mm inch	mm inch	daN lb	daN lb	daN lb	cm ³ in ³	~Kg ~lb
ML12000-015-C-N	ML12000-015-D-N	15 0.59	135 5.31	120 4.72	12720 28595	17910 40264	20179 45364	415 25.35	7,45 16.42
ML12000-025-C-N	ML12000-025-D-N	25 0.98	155 6.10	130 5.12	± 5%	20260 45546	23413 52635	532 32.47	7,92 17.46
ML12000-038-C-N	ML12000-038-D-N	38 1.50	185 7.28	147 5.79	200 bar 2900 psi	21844 49107	25639 57638	715 43.64	8,64 19.05
ML12000-050-C-N	ML12000-050-D-N	50 1.97	215 8.46	165 6.50		22489 50558	26555 59699	902 55.05	9,37 20.66
ML12000-063-C-N	ML12000-063-D-N	63 2.48	245 9.65	182 7.17		23275 52324	27678 62222	1085 66.22	10,09 22.24
ML12000-080-C-N	ML12000-080-D-N	80 3.15	285 11.22	205 8.07	+20 °C +68 °F	23928 53791	28617 64333	1331 81.19	11,06 24.38

SERVICE BOX

code: 39SKML12000A



Seal (1x)



Washer (8x)



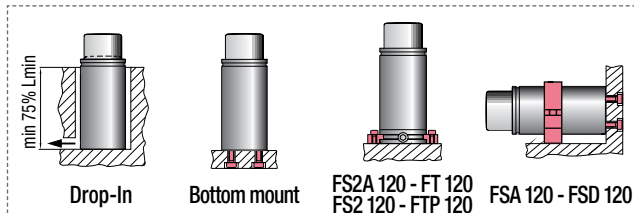
Screw (4x)



Instructions



Sostituire ogni 1.000.000 di cicli. Remplacez à chaque million de cycles.
 Replace every 1 million cycles. Reemplazar cada 1 millón de ciclos.
 Nach 1 Mio. Hübe austauschen. Substituir a cada 1 milhão de ciclos.



HOW TO ORDER



INSTALLATION GUIDELINE

