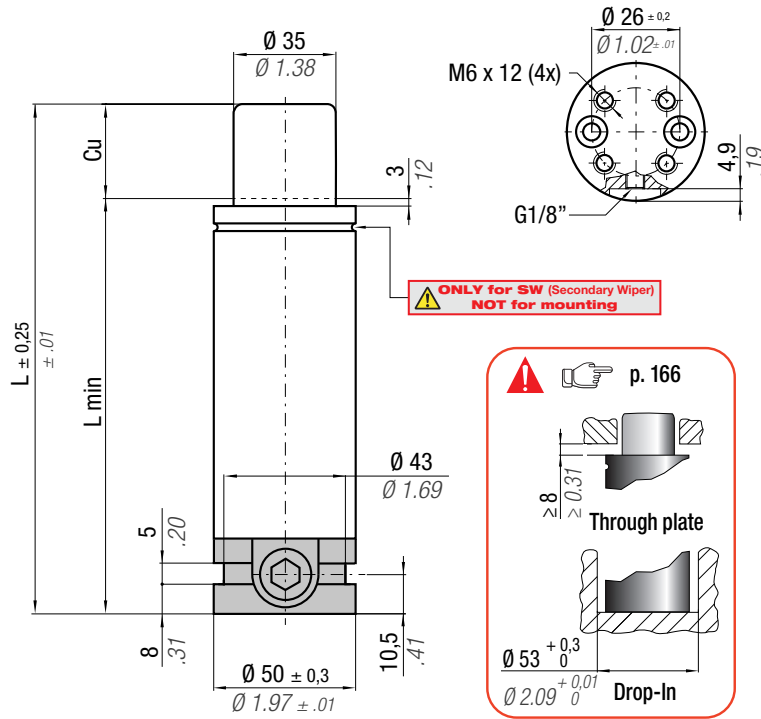




ML 1800 N linkable G1/8"



Il nuovo codice sarà fornito solo ad esaurimento del vecchio

The new code will be supplied only when the old will be out of stock

Der neue Kode wird nur angegeben, wenn der alte nicht mehr lieferbar ist

Le nouveau code sera fourni uniquement lorsque le vieux stock sera écoulé

El nuevo código será suministrado sólo cuando se agoten las existencias del antiguo

O novo código irá ser fornecido apenas quando o antigo esgotar stock



SW

ACTIVE SAFETY



OSAS



USAS



OPAS

* F_{1i} =

Isothermal end force at 100% Cu

** F_{1p} =

Polytrophic end force at 100% Cu

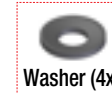
N ₂		0 - 80 °C 32 - 176 °F	ΔP ± 0,33 %/°C	P max 200 bar 2900 psi	P min 20 bar 290 psi	S 9,62 cm ² 1.491 in ²	SPM ~ 40 - 80 (at 20°C)	Max Speed 1,6 m/s 62.9 in/s	Maintenance kit 39BMMLO1800C
CODE	Cu	L	L min	F ₀	F _{1i} *	F _{1p} **	V ₀	PED 2014/68/EU	
PHASING OUT from 05/2019	NEW	mm inch	mm inch	daN lb	daN lb	daN lb	cm ³ in ³	~Kg ~lb	✓
ML1800-015-C-N	ML1800-015-D-N	15 0.59	115 4.53	100 3.94	1925 4327	2828 6358	57 3.46	1,03 2.27	✓
ML1800-025-C-N	ML1800-025-D-N	25 0.98	135 5.31	110 4.33	± 5%	3198 7189	75 4.56	1,12 2.47	✓
ML1800-038-C-N	ML1800-038-D-N	38 1.50	170 6.69	132 5.20	200 bar 2900 psi	3274 7359	110 6.69	1,28 2.82	✓
ML1800-050-C-N	ML1800-050-D-N	50 1.97	195 7.68	145 5.71		3471 7802	133 8.10	1,39 3.06	✓
ML1800-063-C-N	ML1800-063-D-N	63 2.48	225 8.86	162 6.38		3568 8021	161 9.84	1,53 3.37	✓
ML1800-080-C-N	ML1800-080-D-N	80 3.15	265 10.43	185 7.28	+20 °C +68 °F	3642 8188	200 12.18	1,71 3.77	✓

SERVICE BOX

code: 39SKML01800A



Seal (1x)



Washer (4x)



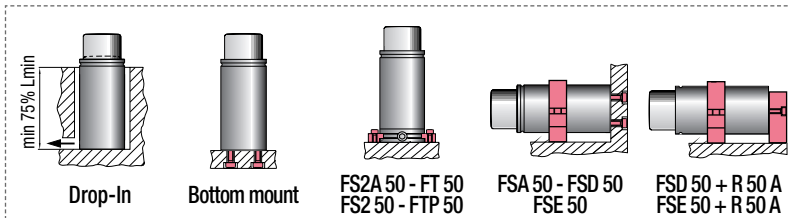
Screw (2x)



Instructions



Sostituire ogni 1.000.000 di cicli. Remplacez à chaque million de cycles.
 Replace every 1 million cycles. Reemplazar cada 1 millón de ciclos.
 Nach 1 Mio. Hübe austauschen. Substituir a cada 1 milhão de ciclos.



HOW TO ORDER



INSTALLATION GUIDELINE

