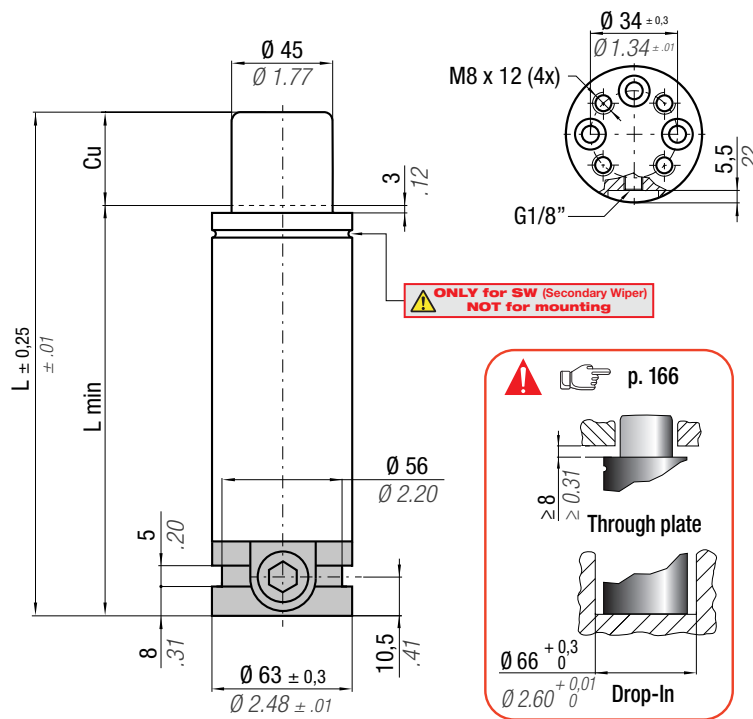




ML 3000 N linkable G1/8"



Il nuovo codice sarà fornito solo ad esaurimento del vecchio

The new code will be supplied only when the old will be out of stock

Der neue Kode wird nur angegeben, wenn der alte nicht mehr lieferbar ist

Le nouveau code sera fourni uniquement lorsque le vieux stock sera écoulé

El nuevo código será suministrado sólo cuando se agoten las existencias del antiguo

O novo código irá ser fornecido apenas quando o antigo esgotar stock



SW

ACTIVE SAFETY



OSAS



USAS



OPAS

* $F_{1i} =$

Isothermal end force at 100% Cu

** $F_{1p} =$

Polytrophic end force at 100% Cu

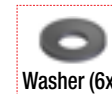
N ₂		0 - 80 °C 32 - 176 °F	ΔP ± 0,33 %/°C	P max 200 bar 2900 psi	P min 20 bar 290 psi	S 15,90 cm ² 2.464 in ²	SPM ~ 40 - 80 (at 20°C)	Max Speed 1,6 m/s 62.9 in/s	Maintenance kit 39BMMML03000C
CODE PHASING OUT from 05/2019	NEW	Cu	L	L min	F ₀	F _{1i} *	F _{1p} **	V ₀	PED 2014/68/EU
		mm inch	mm inch	mm inch	daN lb	daN lb	daN lb	cm ³ in ³	~Kg ~lb
ML3000-015-C-N	ML3000-015-D-N	15 0.59	120 4.72	105 4.13	3180 7149	4461 10029	5023 11291	105 6.40	1,67 3,68
ML3000-025-C-N	ML3000-025-D-N	25 0.98	140 5.51	115 4.53	± 5%	5013 11270	5781 12997	136 8.27	1,80 3,97
ML3000-038-C-N	ML3000-038-D-N	38 1.50	170 6.69	132 5.20	200 bar 2900 psi	5362 12054	6269 14094	184 11.22	2,00 4,41
ML3000-050-C-N	ML3000-050-D-N	50 1.97	200 7.87	150 5.91		5491 12344	6452 14505	233 14.24	2,20 4,85
ML3000-063-C-N	ML3000-063-D-N	63 2.48	230 9.06	167 6.57		5658 12720	6690 15039	282 17.19	2,40 5,29
ML3000-080-C-N	ML3000-080-D-N	80 3.15	270 10.63	190 7.48	+20 °C +68 °F	5793 13023	6882 15472	347 21.14	2,66 5,86

SERVICE BOX

code: 39SKML03000A



Seal (1x)



Washer (6x)



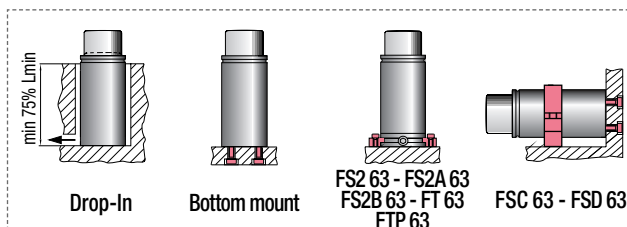
Screw (3x)



Instructions



Sostituire ogni 1.000.000 di cicli. Remplacez à chaque million de cycles.
Replace every 1 million cycles. Reemplazar cada 1 millón de ciclos.
Nach 1 Mio. Hübe austauschen. Substituir a cada 1 milhão de ciclos.



HOW TO ORDER



INSTALLATION GUIDELINE

