

## ML 4700



sw

Il nuovo codice sarà fornito solo ad esaurimento del vecchio

The new code will be supplied only when the old will be out of stock

### ACTIVE SAFETY



OSAS

Der neue Kode wird nur angegeben, wenn der alte nicht mehr lieferbar ist

Le nouveau code sera fourni uniquement lorsque le vieux stock sera écoulé

El nuevo código será suministrado sólo cuando se agoten las existencias del antiguo

O novo código irá ser fornecido apenas quando o antigo esgotar stock



USAS



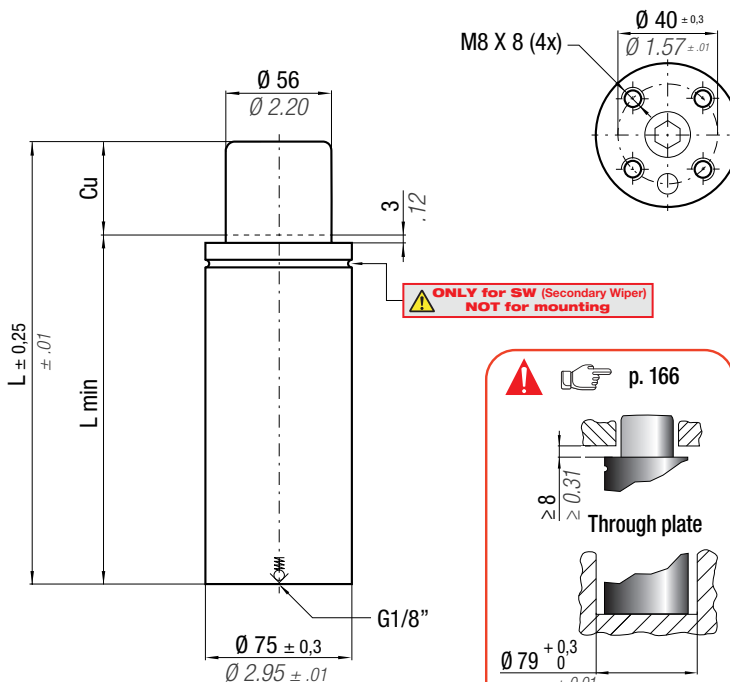
OPAS

\* F<sub>1i</sub> =

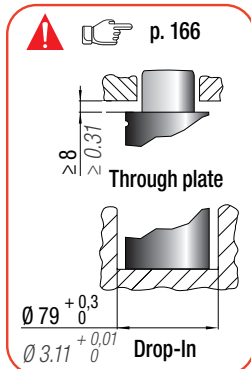
Isothermal end force at 100% Cu

\*\* F<sub>1p</sub> =

Polytrophic end force at 100% Cu



ONLY for SW (Secondary Wiper) NOT for mounting

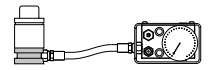


p. 166

	0 - 80 °C 32 - 176 °F	$\Delta P$ ± 0,33 %/°C	P max 200 bar 2900 psi	P min 20 bar 290 psi	S 24,63 cm <sup>2</sup> 3.817 in <sup>2</sup>	SPM ~ 30 - 70 (at 20°C)	Max Speed 1,6 m/s 62,9 in/s	Maintenance kit 39BMML04700C
--	--------------------------	---------------------------	------------------------------	----------------------------	---	-------------------------------	-----------------------------------	---------------------------------

CODE PHASING OUT from 05/2019	NEW	Cu		L		L min		F <sub>0</sub> Initial force		F <sub>1i</sub> * End force *		F <sub>1p</sub> ** End force **		V <sub>0</sub>		PED 2014/68/EU		
		mm	inch	mm	inch	mm	inch	daN	lb	daN	lb	daN	lb	cm <sup>3</sup>	in <sup>3</sup>		~Kg	~lb
ML 4700 - 015 - C	ML 4700 - 015 - D	15	0.59	100	3.94	85	3.35	4925	11071	6982	15697	7878	17711	158	9.64	1,72	3.79	✓
ML 4700 - 025 - C	ML 4700 - 025 - D	25	0.98	120	4.72	95	3.74	± 5%		7883	17721	9119	20500	204	12.46	1,90	4.19	✓
ML 4700 - 038 - C	ML 4700 - 038 - D	38	1.50	150	5.91	112	4.41	200 bar 2900 psi		8462	19023	9933	22330	277	16.88	2,17	4.78	✓
ML 4700 - 050 - C	ML 4700 - 050 - D	50	1.97	180	7.09	130	5.12			8683	19520	10247	23035	351	21.39	2,44	5.38	✓
ML 4700 - 063 - C	ML 4700 - 063 - D	63	2.48	210	8.27	147	5.79			8963	20150	10647	23936	423	25.82	2,72	6.00	✓
ML 4700 - 080 - C	ML 4700 - 080 - D	80	3.15	250	9.84	170	6.69	+20 °C +68 °F		9191	20663	10975	24673	520	31.74	3,08	6.79	✓

### KIT FOR LINKING

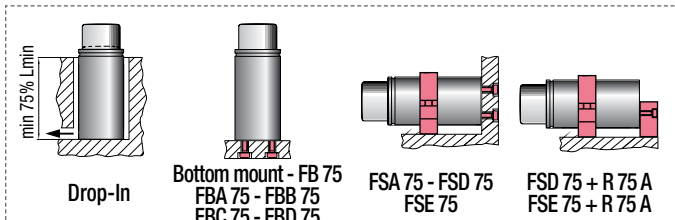
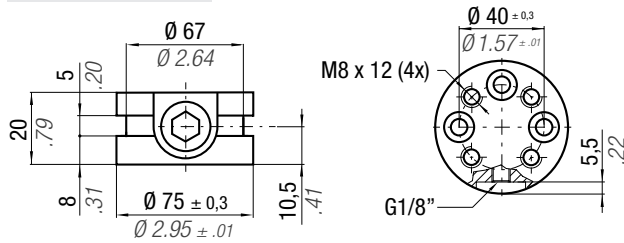


code: 39FML04700B

- Seal (1x)
- Washer (6x)
- Screw (3x)
- Bottom base (1x)
- Valve (1x)
- Instructions

Sostituire ogni 1.000.000 di cicli. Replace every 1 million cycles. Nach 1 Mio. Hübe austauschen. Reemplazar a chaque million de cycles. Reemplazar cada 1 millón de ciclos. Substituir a cada 1 milhão de ciclos.

#### Bottom base dimension



#### HOW TO ORDER

INSTALLATION GUIDELINE