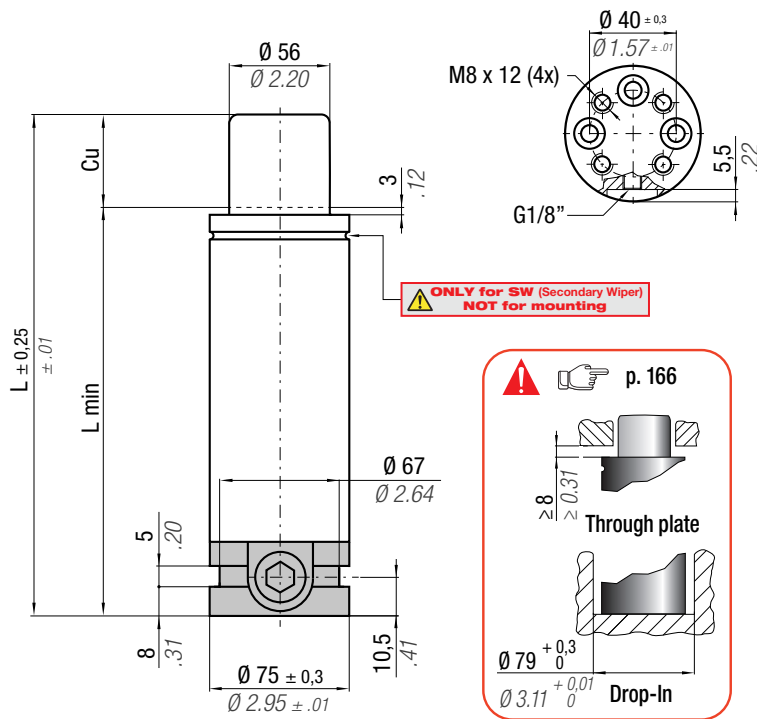




ML 4700 N linkable G1/8"



Il nuovo codice sarà fornito solo ad esaurimento del vecchio

The new code will be supplied only when the old will be out of stock

Der neue Kode wird nur angegeben, wenn der alte nicht mehr lieferbar ist

Le nouveau code sera fourni uniquement lorsque le vieux stock sera écoulé

El nuevo código será suministrado sólo cuando se agoten las existencias del antiguo

O novo código irá ser fornecido apenas quando o antigo esgotar stock



SW

ACTIVE SAFETY



OSAS



USAS



OPAS

* $F_{1i} =$

Isothermal end force at 100% Cu

** $F_{1p} =$

Polytrophic end force at 100% Cu

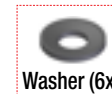
N ₂		0 - 80 °C 32 - 176 °F	ΔP ± 0,33 %/°C	P max 200 bar 2900 psi	P min 20 bar 290 psi	S 24,63 cm ² 3.817 in ²	SPM ~ 30 - 70 (at 20°C)	Max Speed 1,6 m/s 62.9 in/s	Maintenance kit 39BMMML04700C	
CODE PHASING OUT from 05/2019	NEW	Cu	L	L min	F ₀	F _{1i} *	F _{1p} **	V ₀	PED 2014/68/EU	
ML4700-015-C-N	ML4700-015-D-N	15 0.59	120 4.72	105 4.13	4925 11071	6982 15697	7878 17711	158 9.64	2,34 5.16	✓
ML4700-025-C-N	ML4700-025-D-N	25 0.98	140 5.51	115 4.53	± 5%	7883 17721	9119 20500	204 12.46	2,51 5.53	✓
ML4700-038-C-N	ML4700-038-D-N	38 1.50	170 6.69	132 5.20	200 bar 2900 psi	8462 19023	9933 22330	277 16.88	2,75 6.06	✓
ML4700-050-C-N	ML4700-050-D-N	50 1.97	200 7.87	150 5.91		8683 19520	10247 23035	351 21.39	3,06 6.75	✓
ML4700-063-C-N	ML4700-063-D-N	63 2.48	230 9.06	167 6.57		8963 20150	10647 23936	423 25.82	3,33 7.34	✓
ML4700-080-C-N	ML4700-080-D-N	80 3.15	270 10.63	190 7.48	+20 °C +68 °F	9191 20663	10975 24673	520 31.74	3,70 8.16	✓

SERVICE BOX

code: 39SKML04700A



Seal (1x)



Washer (6x)



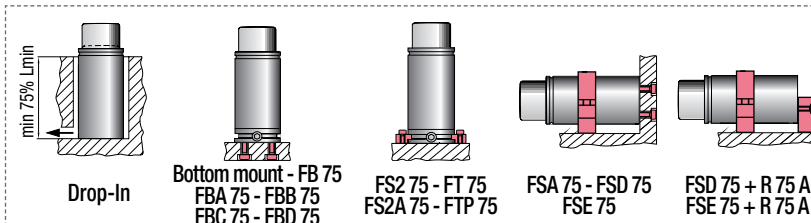
Screw (3x)



Instructions



Sostituire ogni 1.000.000 di cicli. Remplacez à chaque million de cycles.
 Replace every 1 million cycles. Reemplazar cada 1 millón de ciclos.
 Nach 1 Mio. Hübe austauschen. Substituir a cada 1 milhão de ciclos.



HOW TO ORDER



INSTALLATION GUIDELINE

