

ML 7500



sw

Il nuovo codice sarà fornito solo ad esaurimento del vecchio

The new code will be supplied only when the old will be out of stock

ACTIVE SAFETY

Der neue Kode wird nur angegeben, wenn der alte nicht mehr lieferbar ist

Le nouveau code sera fourni uniquement lorsque le vieux stock sera écoulé

El nuevo código será suministrado sólo cuando se agoten las existencias del antiguo

O novo código irá ser fornecido apenas quando o antigo esgotar stock



OSAS



USAS



OPAS

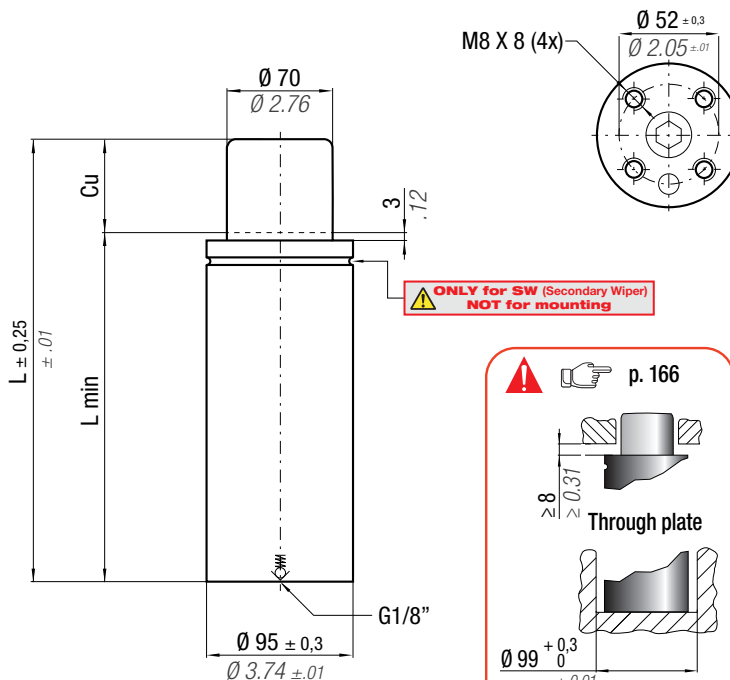


* F_{1i} =

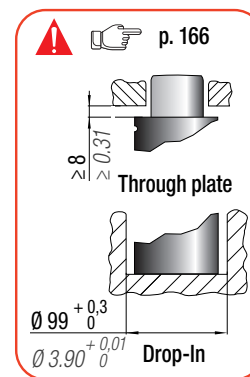
Isothermal end force at 100% Cu

** F_{1p} =

Polytrophic end force at 100% Cu



ONLY for SW (Secondary Wiper) NOT for mounting

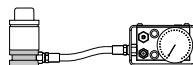


p. 166

	0 - 80 °C 32 - 176 °F	ΔP ± 0,33 %/°C	P max 200 bar 2900 psi	P min 20 bar 290 psi	S 38,48 cm ² 5.964 in ²	SPM ~ 20 - 60 (at 20°C)	Max Speed 1,6 m/s 62,9 in/s	Maintenance kit 39BMML07500C
--	--------------------------	---------------------------	-------------------------------------	-----------------------------------	--	--------------------------------------	--	--

CODE PHASING OUT from 05/2019	NEW	Cu		L		L min		F ₀ Initial force		F _{1i} * End force *		F _{1p} ** End force **		V ₀		PED 2014/68/EU		
		mm	inch	mm	inch	mm	inch	daN	lb	daN	lb	daN	lb	cm ³	in ³		~Kg	~lb
ML 7500 - 015 - C	ML 7500 - 015 - D	15	0.59	115	4.53	100	3.94	7700	17310	10242	23024	11406	25641	295	17.98	3,30	7.28	✓
ML 7500 - 025 - C	ML 7500 - 025 - D	25	0.98	135	5.31	110	4.33	± 5%		11442	25722	13037	29308	368	22.48	3,58	7.89	✓
ML 7500 - 038 - C	ML 7500 - 038 - D	38	1.50	165	6.50	127	5.00	200 bar 2900 psi		12326	27709	14261	32060	484	29.56	4,01	8.84	✓
ML 7500 - 050 - C	ML 7500 - 050 - D	50	1.97	190	7.48	140	5.51			13083	29411	15324	34449	578	35.27	4,36	9.61	✓
ML 7500 - 063 - C	ML 7500 - 063 - D	63	2.48	220	8.66	157	6.18			13519	30391	15942	35838	694	42.34	4,75	10.47	✓
ML 7500 - 080 - C	ML 7500 - 080 - D	80	3.15	260	10.24	180	7.09	+20 °C +68 °F		13883	31210	16462	37007	849	51.82	5,36	11.82	✓

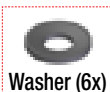
KIT FOR LINKING



code: 39FML07500B



Seal (1x)



Washer (6x)



Screw (3x)



Bottom base (1x)



Valve (1x)

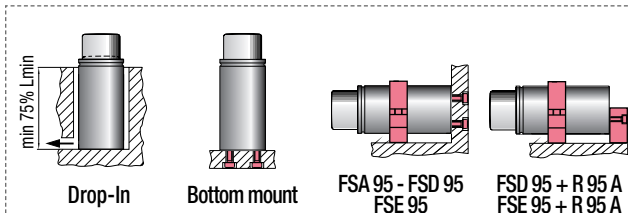
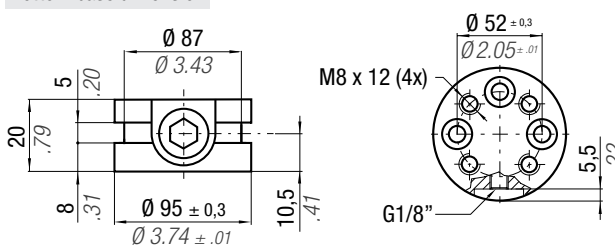


Instructions



Sostituire ogni 1.000.000 di cicli. Replace every 1 million cycles. Nach 1 Mio. Hübe austauschen. Reemplazar a chaque million de cycles. Reemplazar cada 1 millón de ciclos. Substituir a cada 1 milhão de ciclos.

Bottom base dimension



HOW TO ORDER



INSTALLATION GUIDELINE

