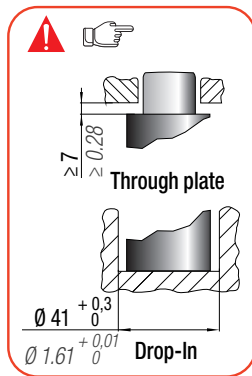
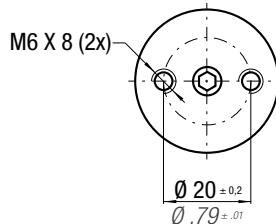
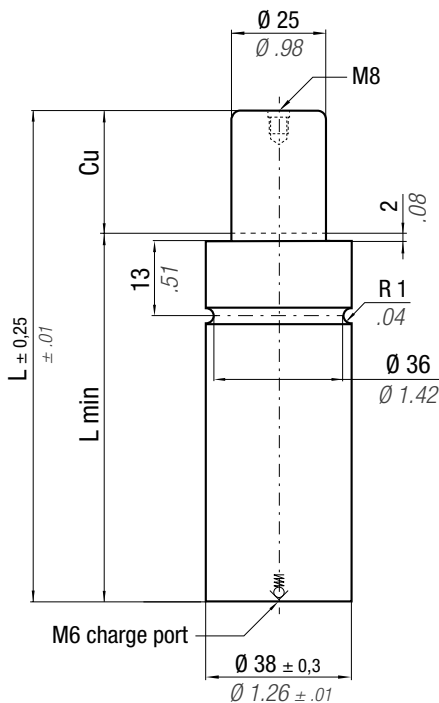




MP 1000



* F_{1i} =
Isothermal
end force
at 100% Cu



p. 16



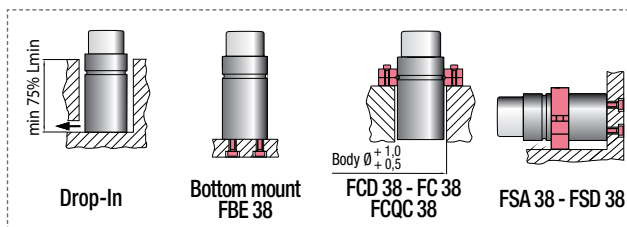
** F_{1p} =
Polytrophic
end force
at 100% Cu



ACTIVE SAFETY



CODE	N ₂	0 - 80 °C 32 - 176 °F	ΔP ± 0,33 %/°C	P max 205 bar 2973 psi	P min 20 bar 290 psi	S 4,91 cm ² 0.761 in ²	SPM ~ 40 - 80 (at 20°C)	Max Speed 1,6 m/s 62.9 in/s	Maintenance kit 39BMMP01000A	Cu		L		L min		F ₀ Initial force		F _{1i} * End force *		F _{1p} ** End force **		V ₀		PED 2014/68/ED		
										mm	inch	mm	inch	mm	inch	daN	lb	daN	lb	daN	lb	cm ³	in ³	~Kg	~lb	✓
MP 1000 - 010 - A											10	0.39	75	2.95	65	2.56	1000 ± 5% 2248	1418	3188	1591	3577	21,5	1.31	0,37	0.82	✓
MP 1000 - 015 - A										15	0.59	85	3.35	70	2.76	1547		3478	1765	3968	26,5	1.62	0,39	0.86	✓	
MP 1000 - 020 - A										20	0.79	95	3.74	75	2.95	1647		3703	1902	4276	31,6	1.93	0,41	0.90	✓	
MP 1000 - 025 - A										25	0.98	105	4.13	80	3.15	1727		3882	2012	4523	36,6	2.23	0,44	0.97	✓	
MP 1000 - 032 - A										32	1.26	120	4.72	88	3.46	1792		4029	2103	4728	44,4	2.71	0,48	1.06	✓	
MP 1000 - 038 - A										38	1.50	135	5.31	97	3.82	1792		4029	2103	4728	52,7	3.21	0,51	1.12	✓	
MP 1000 - 045 - A										45	1.77	150	5.91	105	4.13	1833		4121	2161	4858	60,6	3.70	0,55	1.21	✓	
MP 1000 - 050 - A										50	1.97	160	6.3	110	4.33	1870		4204	2213	4975	65,6	4.00	0,58	1.28	✓	
MP 1000 - 056 - A										56	2.20	175	6.89	119	4.69	1861		4184	2200	4946	73,9	4.51	0,62	1.37	✓	
MP 1000 - 063 - A										63	2.48	205	8.07	142	5.59	1716		3858	1998	4492	93,1	5.68	0,70	1.54	✓	
MP 1000 - 080 - A										80	3.15	240	9.45	160	6.30	1792	4029	2104	4730	111	6.77	0,79	1.74	✓		



HOW TO ORDER



INSTALLATION GUIDELINE

