

RF 1200 linkable G1/8"



OSAS + OSM = OVER STROKE ACTIVE SAFETY + OVER STROKE MARKER

ACTIVE SAFETY

Il nuovo codice sarà fornito solo ad esaurimento del vecchio

The new code will be supplied only when the old will be out of stock

Der neue Kode wird nur angegeben, wenn der alte nicht mehr lieferbar ist

Le nouveau code sera fourni uniquement lorsque le vieux stock sera écoulé

El nuevo código será suministrado sólo cuando se agoten las existencias del antiguo

O novo código irá ser fornecido apenas quando o antigo esgotar stock



OSAS

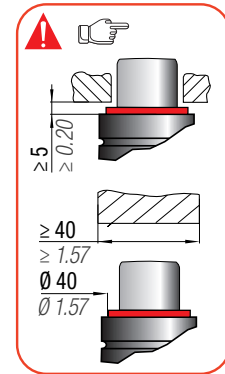
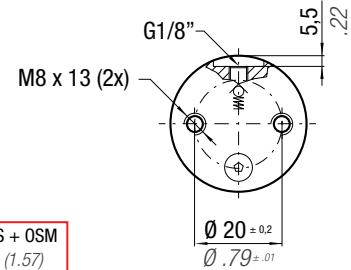
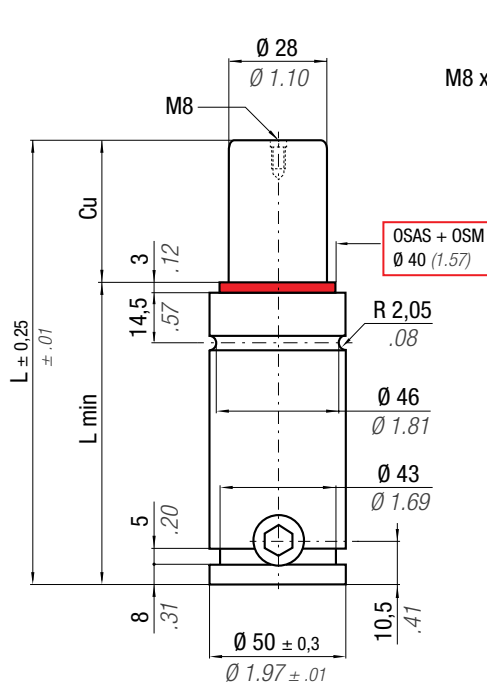


USAS



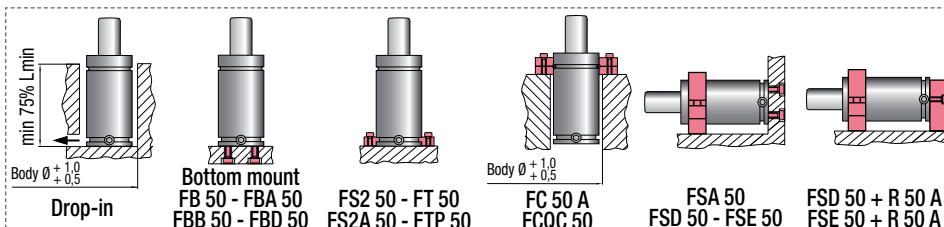
OPAS

* F_{1i} = Isothermal end force at 100% Cu p. 16
 ** F_{1p} = Polytrophic end force at 100% Cu



| N ₂ | 0 - 80 °C 32 - 176 °F | ΔP ± 0,33 %/°C | P max 170 bar 2465 psi | P min 20 bar 290 psi | S 6,15 cm ² 0,953 in ² | SPM ~ 20 - 100 (at 20°C) | Max Speed 1,8 m/s 70,8 in/s | Maintenance kit 39BMRV01000C | | |
|--------------------------|--------------------------|---------------------------|------------------------------|----------------------------|--|--------------------------------|-----------------------------------|---------------------------------|-----------|---|
| CODE | NEW | Cu | L | L min | F ₀ | F _{1i} * | F _{1p} ** | V ₀ | | |
| PHASING OUT from 04/2021 | | mm inch | mm inch | mm inch | daN lb | daN lb | daN lb | cm ³ in ³ | ~Kg ~lb | |
| RF 1200 - 013 - A | ♦ RF 1200 - 013 - B | 13 0.51 | 74 2.91 | 61 2.40 | 1046 2352 ± 5% 170 bar 2465 psi + 20 °C +68 °F | 1577 3546 | 1839 4135 | 28,4 1.73 | 0,65 1.43 | ✓ |
| RF 1200 - 016 - A | RF 1200 - 016 - B | 16 0.63 | 80 3.15 | 64 2.52 | | 1622 3646 | 1906 4284 | 33,1 2.02 | 0,68 1.50 | ✓ |
| RF 1200 - 019 - A | RF 1200 - 019 - B | 19 0.75 | 86 3.39 | 67 2.64 | | 1657 3725 | 1959 4403 | 37,7 2.30 | 0,70 1.54 | ✓ |
| RF 1200 - 025 - A | RF 1200 - 025 - B | 25 0.98 | 98 3.86 | 73 2.87 | | 1709 3841 | 2037 4579 | 47,1 2.87 | 0,75 1.65 | ✓ |
| RF 1200 - 032 - A | RF 1200 - 032 - B | 32 1.26 | 112 4.41 | 80 3.15 | | 1750 3934 | 2100 4721 | 58,0 3.54 | 0,81 1.79 | ✓ |
| RF 1200 - 038 - A | RF 1200 - 038 - B | 38 1.50 | 124 4.88 | 86 3.39 | | 1776 3992 | 2139 4809 | 67,4 4.11 | 0,85 1.87 | ✓ |
| RF 1200 - 050 - A | RF 1200 - 050 - B | 50 1.97 | 148 5.83 | 98 3.86 | | 1811 4072 | 2194 4932 | 86,1 5.25 | 0,95 2.09 | ✓ |
| RF 1200 - 063 - A | RF 1200 - 063 - B | 63 2.48 | 174 6.85 | 111 4.37 | | 1836 4128 | 2233 5020 | 106,3 6.49 | 1,05 2.31 | ✓ |
| RF 1200 - 075 - A | RF 1200 - 075 - B | 75 2.95 | 198 7.80 | 123 4.84 | | 1853 4165 | 2258 5077 | 125,0 7.63 | 1,15 2.54 | ✓ |
| RF 1200 - 080 - A | RF 1200 - 080 - B | 80 3.15 | 208 8.19 | 128 5.04 | | 1858 4177 | 2267 5096 | 132,8 8.10 | 1,19 2.62 | ✓ |
| RF 1200 - 100 - A | RF 1200 - 100 - B | 100 3.94 | 248 9.76 | 148 5.83 | 1875 4215 | 2293 5156 | 164,0 10.01 | 1,35 2.98 | ✓ | |
| RF 1200 - 125 - A | RF 1200 - 125 - B | 125 4.92 | 298 11.73 | 173 6.81 | 1889 4247 | 2315 5205 | 202,9 12.38 | 1,55 3.42 | ✓ | |

♦ Disposable



HOW TO ORDER



INSTALLATION GUIDELINE

