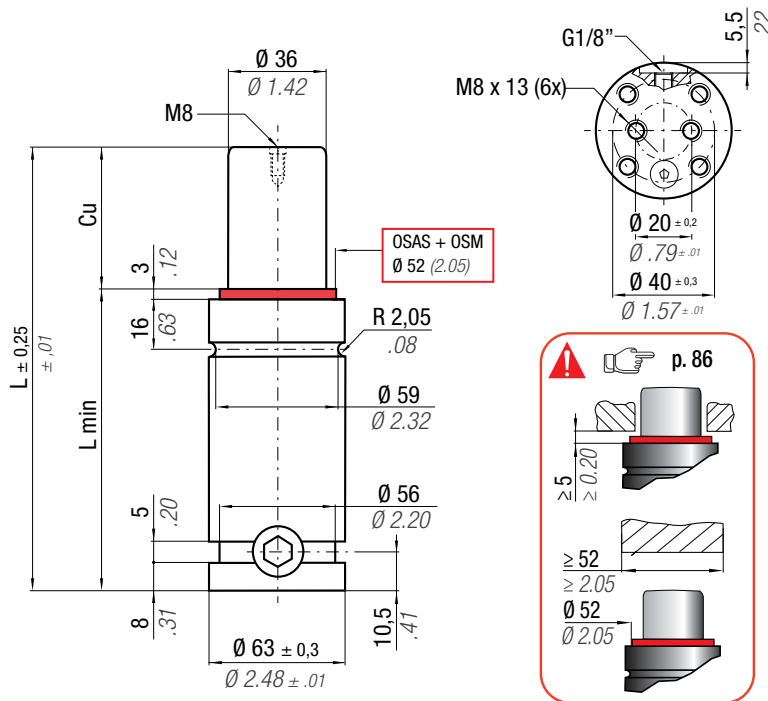




075.90.60 (FCA)

RF 1500
linkable G1/8"



OSAS + OSM = OVER STROKE ACTIVE SAFETY + OVER STROKE MARKER



Il nuovo codice sarà fornito solo ad esaurimento del vecchio
The new code will be supplied only when the old will be out of stock
Der neue Kode wird angegeben, wenn der alte nicht mehr lieferbar ist
Le nouveau code sera fourni uniquement lorsque le vieux stock sera écoulé
El nuevo código será suministrado sólo cuando se agoten las existencias del antiguo
O novo código irá ser fornecido apenas quando o antigo esgotar stock

ACTIVE SAFETY



OSAS



USAS



OPAS

* F_{1i} =

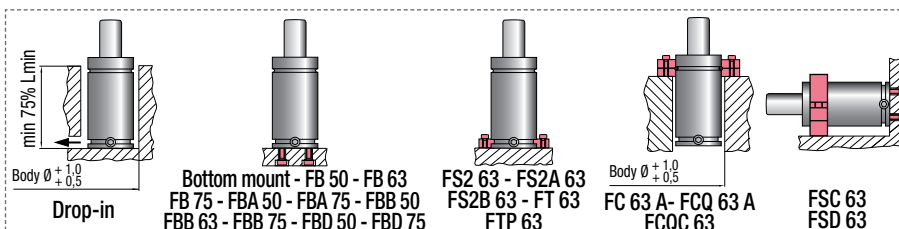
Isothermal end force at 100% Cu

** F_{1p} =

Polytropic end force at 100% Cu

N ₂		0 - 80 °C 32 - 176 °F	ΔP ± 0,33 %/°C	P max 150 bar 2175 psi	P min 20 bar 290 psi	S 10,18 cm ² 1.578 in ²	SPM ~ 20 - 100 (at 20°C)	Max Speed 1,8 m/s 70.8 in/s	Maintenance kit 39BMRV01500C
CODE PHASING OUT from 04/2021	NEW	Cu	L	L min	F ₀ Initial force	F _{1i} *	F _{1p} **	V ₀	PED 2014/68/EU
RF 1500 - 013 - B	RF 1500 - 013 - C	13 0.51	80 3.15	67 2.64	1530 3440 ± 5% 150 bar 2175 psi + 20 °C +68 °F	2168 4874	2546 5723	52 3.17	1,15 2.54
RF 1500 - 016 - B	RF 1500 - 016 - C	16 0.63	86 3.39	70 2.76		2230 5012	2642 5939	60 3.66	1,18 2.60
RF 1500 - 019 - B	RF 1500 - 019 - C	19 0.75	92 3.62	73 2.87		2279 5123	2720 6114	68 4.15	1,22 2.69
RF 1500 - 025 - B	RF 1500 - 025 - C	25 0.98	104 4.09	79 3.11		2353 5290	2838 6380	84 5.13	1,29 2.84
RF 1500 - 032 - B	RF 1500 - 032 - C	32 1.26	118 4.65	86 3.39		2414 5426	2935 6599	102 6.22	1,37 3.02
RF 1500 - 038 - B	RF 1500 - 038 - C	38 1.50	130 5.12	92 3.62		2452 5512	2997 6738	118 7.20	1,44 3.17
RF 1500 - 050 - B	RF 1500 - 050 - C	50 1.97	154 6.06	104 4.09		2506 5633	3085 6935	149 9.09	1,58 3.48
RF 1500 - 063 - B	RF 1500 - 063 - C	63 2.48	180 7.09	117 4.61		2544 5720	3148 7078	184 11.23	1,74 3.84
RF 1500 - 075 - B	RF 1500 - 075 - C	75 2.95	204 8.03	129 5.08		2570 5777	3190 7172	215 13.12	1,88 4.14
RF 1500 - 080 - B	RF 1500 - 080 - C	80 3.15	214 8.43	134 5.28		2578 5797	3204 7204	229 13.97	1,94 4.28
RF 1500 - 100 - B	RF 1500 - 100 - C	100 3.94	254 10.00	154 6.06		2605 5857	3249 7303	281 17.15	2,18 4.81
RF 1500 - 125 - B	RF 1500 - 125 - C	125 4.92	304 11.97	179 7.05		2628 5907	3286 7387	347 21.18	2,47 5.45

◆ Disposable



HOW TO ORDER



INSTALLATION GUIDELINE

