



## RF 2400 linkable G1/8"

075.90.60 (FCA)



**OSAS + OSM** = OVER STROKE ACTIVE SAFETY + OVER STROKE MARKER

### ACTIVE SAFETY

Il nuovo codice sarà fornito solo ad esaurimento del vecchio

The new code will be supplied only when the old will be out of stock

Der neue Kode wird nur angegeben, wenn der alte nicht mehr lieferbar ist

Le nouveau code sera fourni uniquement lorsque le vieux stock sera écoulé

El nuevo código será suministrado sólo cuando se agoten las existencias del antiguo

O novo código irá ser fornecido apenas quando o antigo esgotar stock



OSAS



USAS



OPAS

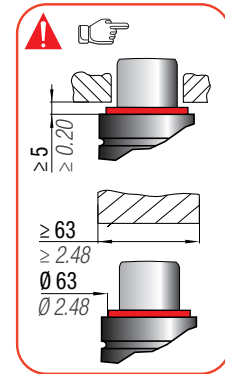
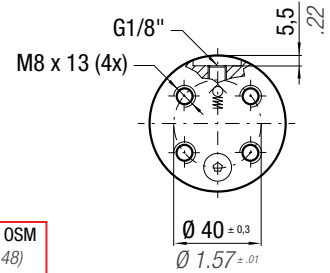
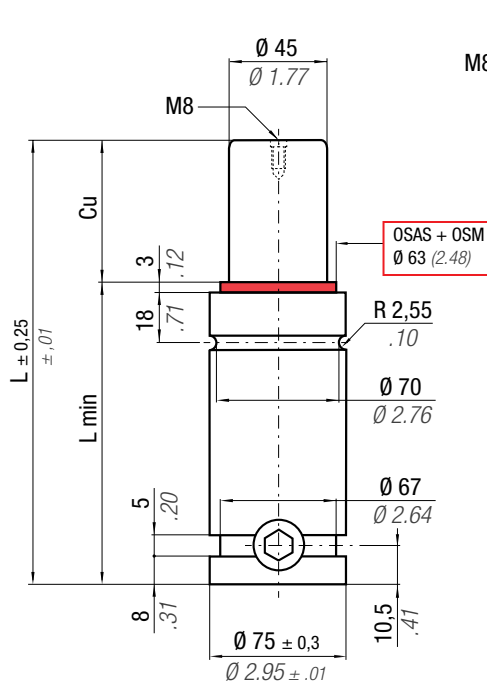


\*  $F_{1i}$  =

Isothermal end force at 100% Cu

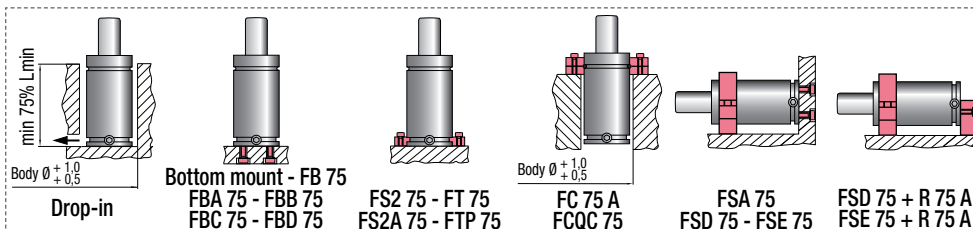
\*\*  $F_{1p}$  =

Polytropic end force at 100% Cu



N <sub>2</sub>		0 - 80 °C 32 - 176 °F	ΔP ± 0,33 %/°C	P max 150 bar 2175 psi	P min 20 bar 290 psi	S 15,90 cm <sup>2</sup> 2,465 in <sup>2</sup>	SPM ~ 20 - 100 (at 20°C)	Max Speed 1,8 m/s 70,8 in/s	Maintenance kit 39BMRV02400D
CODE	NEW	Cu	L	L min	F <sub>0</sub>	F <sub>1i</sub> *	F <sub>1p</sub> **	V <sub>0</sub>	PED
PHASING OUT from 04/2021		mm inch	mm inch	mm inch	Initial force daN lb	End force * daN lb	End force ** daN lb	cm <sup>3</sup> in <sup>3</sup>	~Kg ~lb 2014/68/EU
RF 2400 - 016 - A	♦ RF 2400 - 016 - B	16 0.63	87 3.43	71 2.80	2385 5362 ± 5% 150 bar 2175 psi + 20 °C +68 °F	3510 7891	4170 9374	92 5.61	1,68 3.70
RF 2400 - 019 - A	♦ RF 2400 - 019 - B	19 0.75	93 3.66	74 2.91		3592 8075	4299 9665	104 6.35	1,73 3.81
RF 2400 - 025 - A	RF 2400 - 025 - B	25 0.98	105 4.13	80 3.15		3716 8354	4498 10111	128 7.81	1,82 4.01
RF 2400 - 032 - A	RF 2400 - 032 - B	32 1.26	119 4.69	87 3.43		3818 8583	4662 10481	156 9.52	1,93 4.25
RF 2400 - 038 - A	RF 2400 - 038 - B	38 1.50	131 5.16	93 3.66		3883 8728	4767 10717	180 10.98	2,03 4.48
RF 2400 - 050 - A	RF 2400 - 050 - B	50 1.97	155 6.10	105 4.13		3974 8935	4917 11054	228 13.91	2,21 4.87
RF 2400 - 063 - A	RF 2400 - 063 - B	63 2.48	181 7.13	118 4.65		4041 9083	5026 11299	280 17.09	2,42 5.34
RF 2400 - 075 - A	RF 2400 - 075 - B	75 2.95	205 8.07	130 5.12		4084 9181	5098 11461	328 20.02	2,61 5.75
RF 2400 - 080 - A	RF 2400 - 080 - B	80 3.15	215 8.46	135 5.31		4099 9215	5123 11517	348 21.24	2,69 5.93
RF 2400 - 100 - A	RF 2400 - 100 - B	100 3.94	255 10.04	155 6.10		4145 9318	5199 11688	428 26.12	3,00 6.61
RF 2400 - 125 - A	RF 2400 - 125 - B	125 4.92	305 12.01	180 7.09	4183 9405	5264 11833	528 32.22	3,40 7.50	

♦ Disposable



### HOW TO ORDER



### INSTALLATION GUIDELINE

