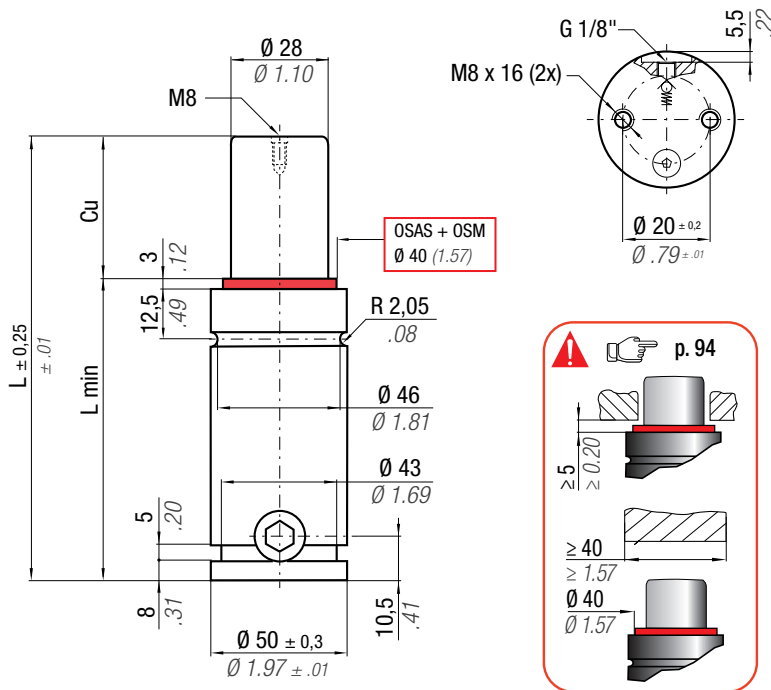




K32D2-2400-50 (Nissan)	EM24.54.700 (Renault)		
------------------------	-----------------------	--	--

RG 1000



OSAS + OSM = OVER STROKE ACTIVE SAFETY + OVER STROKE MARKER



Il nuovo codice sarà fornito solo ad esaurimento del vecchio
 The new code will be supplied only when the old will be out of stock
 Der neue Kode wird nur angegeben, wenn der alte nicht mehr lieferbar ist
 Le nouveau code sera fourni uniquement lorsque le vieux stock sera écoulé
 El nuevo código será suministrado sólo cuando se agoten las existencias del antiguo
 O novo código irá ser fornecido apenas quando o antigo esgotar stock

ACTIVE SAFETY



OSAS



USAS



OPAS

* F_{1i} =

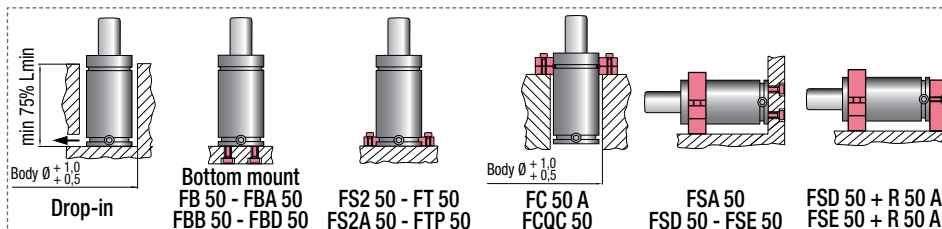
Isothermal end force at 100% Cu

** F_{1p} =

Polytropic end force at 100% Cu

N ₂		0 - 80 °C 32 - 176 °F	ΔP ± 0,33 %/°C	P max 150 bar 2175 psi	P min 20 bar 290 psi	S 6,15 cm ² 0,953 in ²	SPM ~ 20 - 100 (at 20°C)	Max Speed 1,8 m/s 70.8 in/s	Maintenance kit 39BMRV01000C																																		
CODE PHASING OUT from 04/2021	NEW	Cu	L	L min	F ₀ Initial force	F _{1i} *	F _{1p} **	V ₀	PED 2014/68/EU																																		
RG 1000 - 010 - A	◆ RG 1000 - 010 - B	10 0.39	72 2.83	62 2.44	920 2068 ± 5%	1281 2881	1493 3357	25,6 1.56	0,67 1.48	✓																																	
RG 1000 - 013 - A	◆ RG 1000 - 013 - B	13 0.51	78 3.07	65 2.56						150 bar 2175 psi	1331 2992	1570 3531	30,3 1.85	0,70 1.54	✓																												
RG 1000 - 016 - A	RG 1000 - 016 - B	16 0.63	84 3.31	68 2.68											1567 3522	1631 3667	35,0 2.14	0,72 1.59	✓																								
RG 1000 - 019 - A	RG 1000 - 019 - B	19 0.75	90 3.54	71 2.80															1583 3558	1680 3778	39,6 2.42	0,75 1.65	✓																				
RG 1000 - 025 - A	RG 1000 - 025 - B	25 0.98	102 4.02	77 3.03																			1588 3570	1755 3945	49,0 2.99	0,79 1.74	✓																
RG 1000 - 032 - A	RG 1000 - 032 - B	32 1.26	116 4.57	84 3.31																							1599 3392	1816 4083	59,9 3.66	0,85 1.87	✓												
RG 1000 - 038 - A	RG 1000 - 038 - B	38 1.50	128 5.04	90 3.54																											1605 3607	1855 4170	69,2 4.22	0,90 1.98	✓								
RG 1000 - 050 - A	RG 1000 - 050 - B	50 1.97	152 5.98	102 4.02																															1618 3638	1910 4294	87,9 5.36	0,99 2.18	✓				
RG 1000 - 063 - A	RG 1000 - 063 - B	63 2.48	178 7.01	115 4.53																																			1583 3558	1976 4442	126,9 7.74	1,19 2.62	✓
RG 1000 - 075 - A	RG 1000 - 075 - B	75 2.95	202 7.95	127 5.00																																							1588 3570
RG 1000 - 080 - A	RG 1000 - 080 - B	80 3.15	212 8.35	132 5.20	+ 20 °C + 68 °F	1605 3607	2013 4524	165,8 10.12	1,39 3.06	✓																																	
RG 1000 - 100 - A	RG 1000 - 100 - B	100 3.94	252 9.92	152 5.98						1618 3638	2036 4577	204,8 12.50	1,60 3.53	✓																													
RG 1000 - 125 - A	RG 1000 - 125 - B	125 4.92	302 11.89	177 6.97						✓																																	

◆ Disposable



HOW TO ORDER



INSTALLATION GUIDELINE

