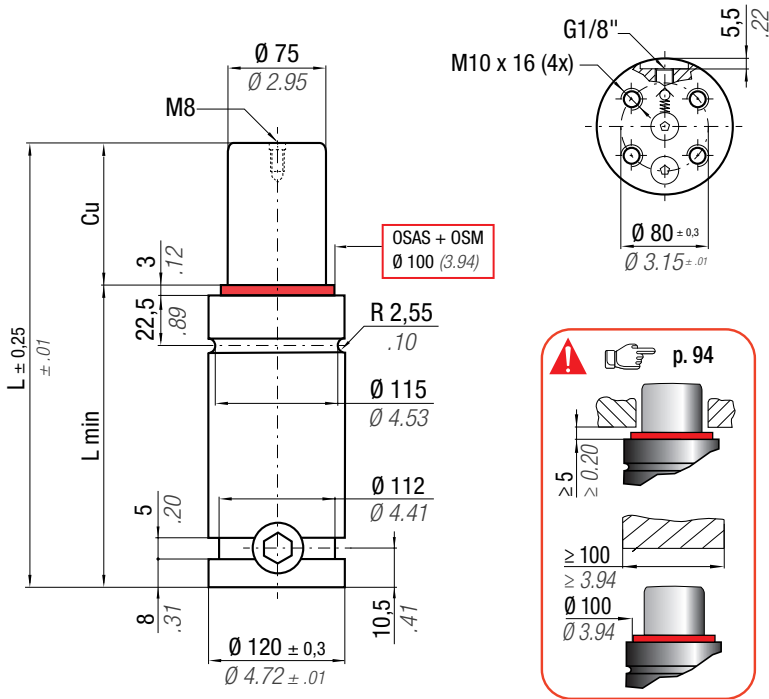




K32D2-2400-50 (Nissan)	EM24.54.700 (Renault)		
------------------------	-----------------------	--	--

RG 6600



OSAS + OSM = OVER STROKE ACTIVE SAFETY + OVER STROKE MARKER



Il nuovo codice sarà fornito solo ad esaurimento del vecchio
 The new code will be supplied only when the old will be out of stock
 Der neue Kode wird nur angegeben, wenn der alte nicht mehr lieferbar ist
 Le nouveau code sera fourni uniquement lorsque le vieux stock sera écoulé
 El nuevo código será suministrado sólo cuando se agoten las existencias del antiguo
 O novo código irá ser fornecido apenas quando o antigo esgotar stock

ACTIVE SAFETY



OSAS



USAS



OPAS



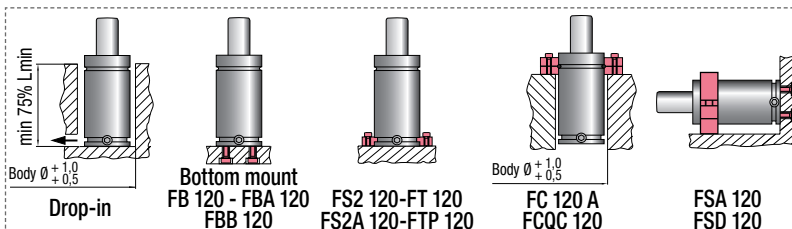
* F_{1i} = Isothermal end force at 100% Cu

** F_{1p} = Polytrophic end force at 100% Cu

	0 - 80 °C 32 - 176 °F	ΔP ± 0,33 %/°C	P max 150 bar 2175 psi	P min 20 bar 290 psi	S 44,18 cm ² 6.848 in ²	SPM ~ 20 - 100 (at 20°C)	Max Speed 1,8 m/s 70.8 in/s	Maintenance kit 39BMRV06600C
--	--------------------------	---------------------------	-------------------------------------	-----------------------------------	--	---------------------------------------	--	--

CODE PHASING OUT from 04/2021	NEW	Cu		L		L min		F0 Initial force		F1i * End force		F1p ** End force		Vo		PED 2014/68/EU		
		mm	inch	mm	inch	mm	inch	daN	lb	daN	lb	daN	lb	cm ³	in ³		~Kg	~lb
RG 6600 - 016 - A	◆ RG 6600 - 016 - B	16	0.63	104	4.09	88	3.46	6630 ± 5% 14904	150 bar 2175 psi	9056	20359	10500	23606	306	18.69	5,40	11.90	✓
RG 6600 - 019 - A	◆ RG 6600 - 019 - B	19	0.75	110	4.33	91	3.58			9306	20920	10887	24474	338	20.64	5,52	12.17	✓
RG 6600 - 025 - A	RG 6600 - 025 - B	25	0.98	122	4.80	97	3.82			9712	21832	11521	25901	402	24.54	5,76	12.70	✓
RG 6600 - 032 - A	RG 6600 - 032 - B	32	1.26	136	5.35	104	4.09			10073	22644	12093	27187	477	29.08	6,04	13.32	✓
RG 6600 - 038 - A	RG 6600 - 038 - B	38	1.50	148	5.83	110	4.33			10316	23192	12483	28063	541	32.98	6,28	13.85	✓
RG 6600 - 050 - A	RG 6600 - 050 - B	50	1.97	172	6.77	122	4.80			10683	24016	13075	29394	668	40.78	6,76	14.90	✓
RG 6600 - 063 - A	RG 6600 - 063 - B	63	2.48	198	7.80	135	5.31			10964	24648	13534	30427	807	49.23	7,28	16.05	✓
RG 6600 - 075 - A	RG 6600 - 075 - B	75	2.95	222	8.74	147	5.79			11157	25083	13852	31141	935	57.03	7,75	17.09	✓
RG 6600 - 080 - A	RG 6600 - 080 - B	80	3.15	232	9.13	152	5.98			11225	25234	13963	31390	988	60.28	7,95	17.53	✓
RG 6600 - 100 - A	RG 6600 - 100 - B	100	3.94	272	10.71	172	6.77			11439	25715	14318	32188	1201	73.28	8,75	19.29	✓
RG 6600 - 125 - A	RG 6600 - 125 - B	125	4.92	322	12.68	197	7.76	11625	26133	14628	32885	1467	89.53	9,75	21.50	✓		

◆ Disposable



HOW TO ORDER



INSTALLATION GUIDELINE

