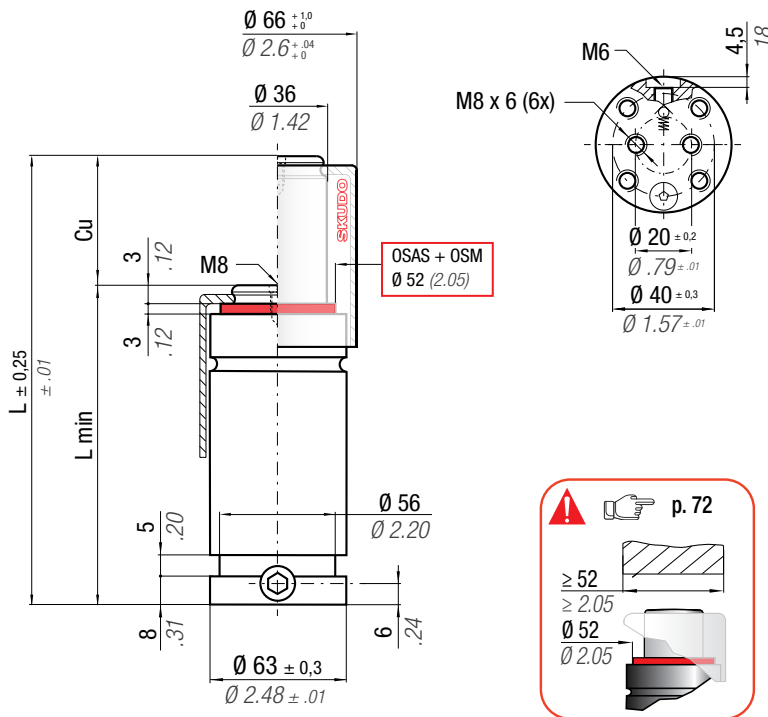




RS 1500



OSAS + OSM = OVER STROKE ACTIVE SAFETY + OVER STROKE MARKER

Il nuovo codice sarà fornito solo ad esaurimento del vecchio
 The new code will be supplied only when the old will be out of stock
 Der neue Kode wird nur angegeben, wenn der alte nicht mehr lieferbar ist
 Le nouveau code sera fourni uniquement lorsque le vieux stock sera écoulé
 El nuevo código será suministrado sólo cuando se agoten las existencias del antiguo
 O novo código irá ser fornecido apenas quando o antigo esgotar stock

ACTIVE SAFETY



OSAS



USAS



OPAS

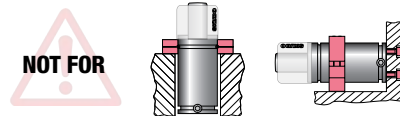


SKUDO



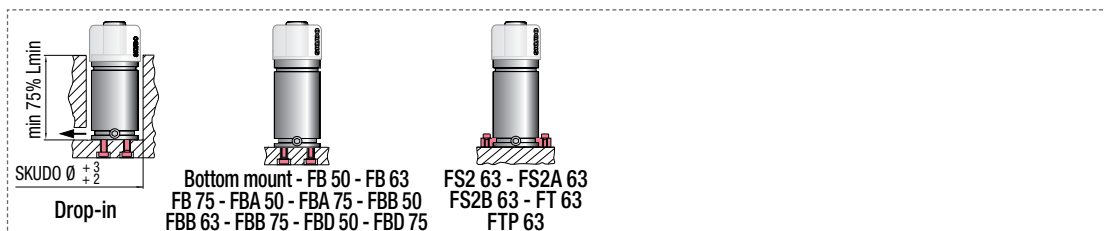
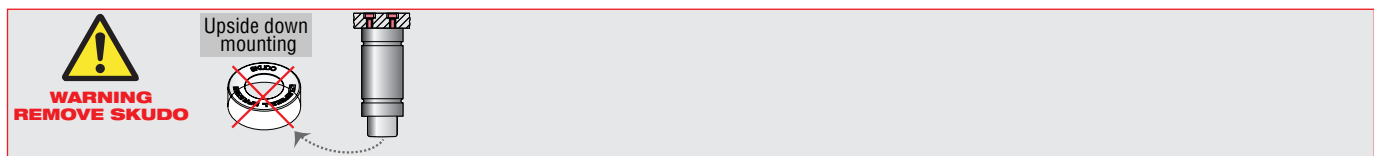
* F_{1i} = Isothermal end force at 100% Cu

** F_{1p} = Polytrophic end force at 100% Cu



N ₂		0 - 80 °C 32 - 176 °F	ΔP ± 0,33 %/°C	P max 150 bar 2175 psi	P min 20 bar 290 psi	S 10,18 cm ² 1.578 in ²	SPM ~ 20 - 100 (at 20°C)	Max Speed 1,8 m/s 70.8 in/s	Maintenance kit 39BMRV01500C
CODE PHASING OUT from 04/2021	NEW	Cu	L	L min	F ₀ Initial force	F _{1i} * End force *	F _{1p} ** End force **	V ₀	PED 2014/68/EU
RS 1500 - 010 - B	◆ RS 1500 - 010 - C	10 0.39	70 2.76	60 2.36	1530 3440 ± 5% 150 bar 2175 psi + 20 °C +68 °F	1981 4453	2258 5076	52 3.17	0,92 2.03
RS 1500 - 013 - B	◆ RS 1500 - 013 - C	13 0.51	76 2.99	63 2.48		2057 4625	2374 5337	60 3.66	0,96 2.12
RS 1500 - 016 - B	RS 1500 - 016 - C	16 0.63	82 3.23	66 2.60		2119 4764	2470 5552	68 4.15	0,99 2.18
RS 1500 - 022 - B	RS 1500 - 022 - C	22 0.87	94 3.70	72 2.83		2214 4978	2618 5885	83 5.06	1,06 2.34
RS 1500 - 029 - B	RS 1500 - 029 - C	29 1.14	108 4.25	79 3.11		2294 5156	2743 6166	102 6.22	1,14 2.51
RS 1500 - 035 - B	RS 1500 - 035 - C	35 1.38	120 4.72	85 3.35		2344 5270	2824 6348	118 7.20	1,21 2.67
RS 1500 - 047 - B	RS 1500 - 047 - C	47 1.85	144 5.67	97 3.82		2417 5433	2940 6610	149 9.09	1,35 2.98
RS 1500 - 060 - B	RS 1500 - 060 - C	60 2.36	170 6.69	110 4.33		2470 5552	3026 6803	184 11.23	1,51 3.33
RS 1500 - 072 - B	RS 1500 - 072 - C	72 2.83	194 7.64	122 4.80		2505 5631	3083 6931	215 13.12	1,65 3.64
RS 1500 - 077 - B	RS 1500 - 077 - C	77 3.03	204 8.03	127 5.00		2517 5657	3103 6975	229 13.97	1,71 3.77
RS 1500 - 097 - B	RS 1500 - 097 - C	97 3.82	244 9.61	147 5.79	2554 5741	3164 7112	281 17.15	1,94 4.28	
RS 1500 - 122 - B	RS 1500 - 122 - C	122 4.80	294 11.57	172 6.77	2585 5811	3215 7228	347 21.18	2,23 4.92	

◆ Disposable



HOW TO ORDER

INSTALLATION GUIDELINE