

RS 750

OSAS + OSM = OVER STROKE ACTIVE SAFETY + OVER STROKE MARKER

ACTIVE SAFETY

Il nuovo codice sarà fornito solo ad esaurimento del vecchio
 The new code will be supplied only when the old will be out of stock
 Der neue Kode wird nur angegeben, wenn der alte nicht mehr lieferbar ist
 Le nouveau code sera fourni uniquement lorsque le vieux stock sera écoulé
 El nuevo código será suministrado sólo cuando se agoten las existencias del antiguo
 O novo código irá ser fornecido apenas quando o antigo esgotar stock



OSAS



USAS



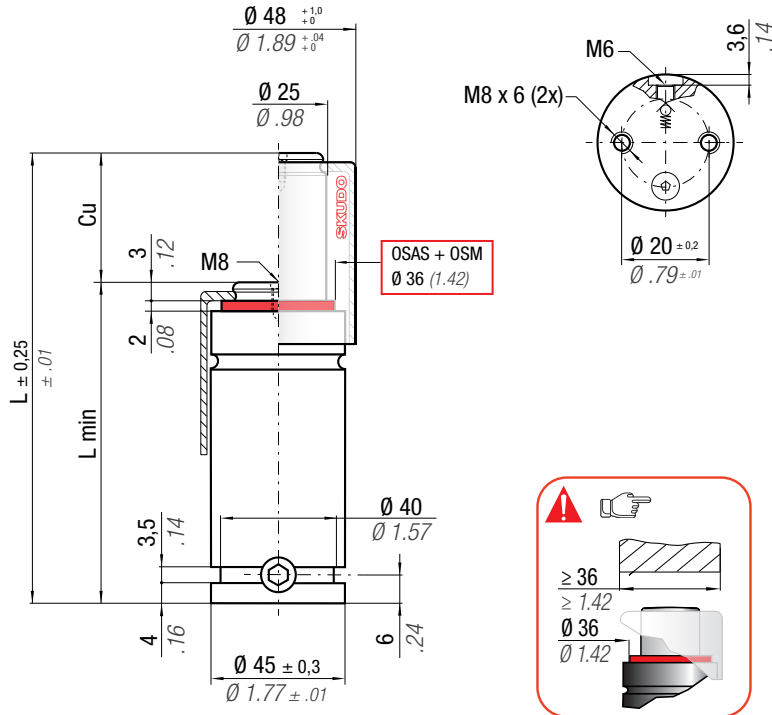
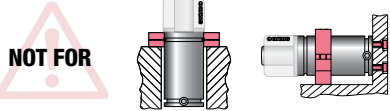
OPAS



SKUDO

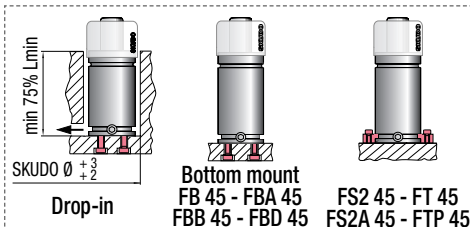
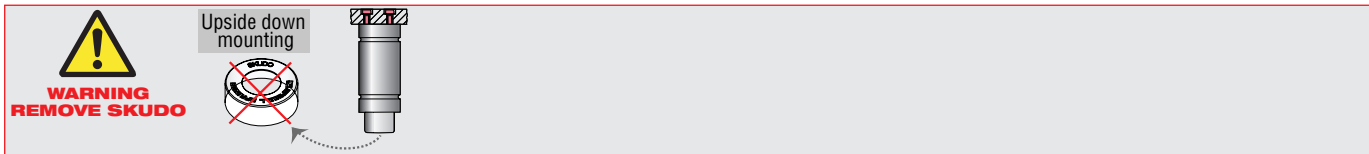
easu MANIFOLD p. 247

* F_{1i} = Isothermal end force at 100% Cu p. 16
 ** F_{1p} = Polytrophic end force at 100% Cu



	0 - 80 °C 32 - 176 °F	ΔP $\pm 0,33 \% / ^\circ C$	P max 150 bar 2175 psi	P min 20 bar 290 psi	S 4,91 cm ² 0,761 in ²	SPM ~ 20 - 100 (at 20°C)	Max Speed 1,8 m/s 70,8 in/s	Maintenance kit 39BMRV00750C		
CODE	NEW	Cu	L	L min	F0	F1i *	F1p **	V0		
PHASING OUT from 04/2021		mm inch	mm inch	mm inch	Initial force daN lb	End force * daN lb	End force ** daN lb	cm ³ in ³	~Kg ~lb	2014/68/EU
RS 750 - 007 - A	◆ RS 750 - 007 - B	7 0.28	52 2.05	45 1.77	740 1664 ± 5% 150 bar 2175psi + 20 °C +68 °F	972 2185	1114 2504	16,5 1.01	0,36 0.79	✓
RS 750 - 010 - A	◆ RS 750 - 010 - B	10 0.39	58 2.28	48 1.89		1024 2301	1193 2683	20,3 1.24	0,38 0.84	✓
RS 750 - 013 - A	RS 750 - 013 - B	13 0.51	64 2.52	51 2.01		1062 2388	1253 2818	24,1 1.47	0,39 0.86	✓
RS 750 - 016 - A	RS 750 - 016 - B	16 0.63	70 2.76	54 2.13		1092 2454	1300 2923	27,9 1.70	0,41 0.90	✓
RS 750 - 022 - A	RS 750 - 022 - B	22 0.87	82 3.23	60 2.36		1135 2551	1369 3077	35,4 2.16	0,45 0.99	✓
RS 750 - 029 - A	RS 750 - 029 - B	29 1.14	96 3.78	67 2.64		1168 2627	1423 3198	44,3 2.70	0,50 1.10	✓
RS 750 - 035 - A	RS 750 - 035 - B	35 1.38	108 4.25	73 2.87		1189 2673	1456 3273	51,8 3.16	0,54 1.19	✓
RS 750 - 047 - A	RS 750 - 047 - B	47 1.85	132 5.20	85 3.35		1217 2736	1502 3377	67,0 4.09	0,61 1.34	✓
RS 750 - 060 - A	RS 750 - 060 - B	60 2.36	158 6.22	98 3.86		1237 2781	1535 3450	83,4 5.09	0,70 1.54	✓
RS 750 - 072 - A	RS 750 - 072 - B	72 2.83	182 7.17	110 4.33		1250 2809	1556 3497	98,5 6.01	0,77 1.70	✓
RS 750 - 077 - A	RS 750 - 077 - B	77 3.03	192 7.56	115 4.53		1254 2819	1563 3513	104,8 6.40	0,81 1.79	✓
RS 750 - 097 - A	RS 750 - 097 - B	97 3.82	232 9.13	135 5.31		1267 2848	1584 3561	130,0 7.93	0,93 2.05	✓
RS 750 - 122 - A	RS 750 - 122 - B	122 4.80	282 11.10	160 6.30		1278 2872	1602 3602	161,5 9.86	1,10 2.43	✓

◆ Disposable



HOW TO ORDER

INSTALLATION GUIDELINE