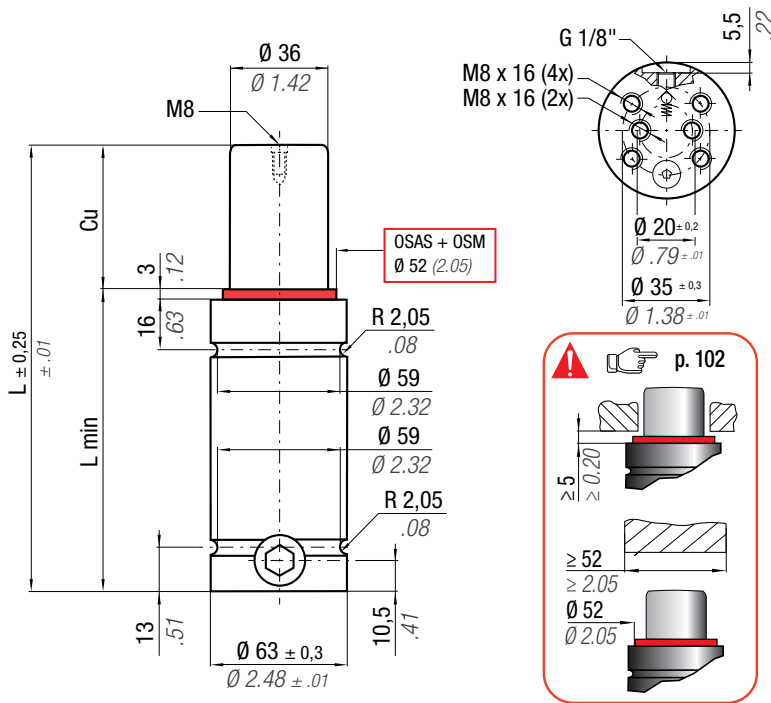




RT 1500



OSAS + OSM = OVER STROKE ACTIVE SAFETY + OVER STROKE MARKER



Il nuovo codice sarà fornito solo ad esaurimento del vecchio
The new code will be supplied only when the old will be out of stock

Der neue Kode wird nur angegeben, wenn der alte nicht mehr lieferbar ist

Le nouveau code sera fourni uniquement lorsque le vieux stock sera écoulé

El nuevo código será suministrado sólo cuando se agoten las existencias del antiguo

O novo código irá ser fornecido apenas quando o antigo esgotar stock

ACTIVE SAFETY



OSAS



USAS



OPAS

* F_{1i} =

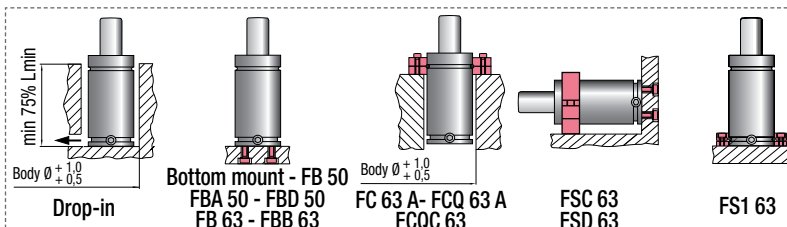
Isothermal end force at 100% Cu

** F_{1p} =

Polytrophic end force at 100% Cu

N ₂		0 - 80 °C 32 - 176 °F	ΔP ± 0,33 %/°C	P max 150 bar 2175 psi	P min 20 bar 290 psi	S 10,18 cm ² 1.578 in ²	SPM ~ 20 - 100 (at 20°C)	Max Speed 1,8 m/s 70.8 in/s	Maintenance kit 39BMRV01500C					
CODE PHASING OUT from 04/2021	NEW	Cu	L	L min	F ₀ Initial force	F _{1i} *	F _{1p} **	V ₀	PED 2014/68/EU					
		mm	inch	mm	inch	daN	lb	cm ³	in ³					
RT 1500 - 010 - A	♦ RT 1500 - 010 - B	10	0.39	72	2.83	1530 ± 5%	3440	45	2.72	1,05	2,31	✓		
RT 1500 - 013 - A	♦ RT 1500 - 013 - B	13	0.51	78	3.07			53	3.20	1,09	2.40	✓		
RT 1500 - 016 - A	♦ RT 1500 - 016 - B	16	0.63	84	3.31			61	3.69	1,13	2.49	✓		
RT 1500 - 019 - A	RT 1500 - 019 - B	19	0.75	90	3.54			68	4.17	1,16	2.56	✓		
RT 1500 - 025 - A	RT 1500 - 025 - B	25	0.98	102	4.02			77	3.03	84	5.14	1,23	2.71	✓
RT 1500 - 032 - A	RT 1500 - 032 - B	32	1.26	116	4.57			84	3.31	103	6.27	1,31	2.89	✓
RT 1500 - 038 - A	RT 1500 - 038 - B	38	1.50	128	5.04			90	3.54	119	7.23	1,38	3.04	✓
RT 1500 - 050 - A	RT 1500 - 050 - B	50	1.97	152	5.98			102	4.02	150	9.17	1,53	3.37	✓
RT 1500 - 063 - A	RT 1500 - 063 - B	63	2.48	178	7.01			115	4.53	185	11.26	1,69	3.73	✓
RT 1500 - 075 - A	RT 1500 - 075 - B	75	2.95	202	7.95			127	5.00	216	13.19	1,83	4.03	✓
RT 1500 - 080 - A	RT 1500 - 080 - B	80	3.15	212	8.35	132	5.20	229	13.99	1,89	4.17	✓		
RT 1500 - 100 - A	RT 1500 - 100 - B	100	3.94	252	9.92	152	5.98	282	17.21	2,12	4.67	✓		
RT 1500 - 125 - A	RT 1500 - 125 - B	125	4.92	302	11.89	177	6.97	348	21.24	2,41	5.31	✓		

♦ Disposable



HOW TO ORDER



INSTALLATION GUIDELINE

